

# ART 901L

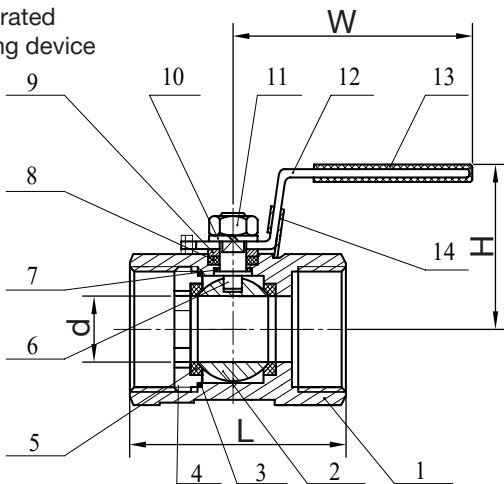
## PN69 Stainless Steel

### 1 Piece Ball Valve



#### Features

- BSP Taper (ISO 7/1)
- Reduced bore
- PN69 rated
- Locking device



#### Technical data

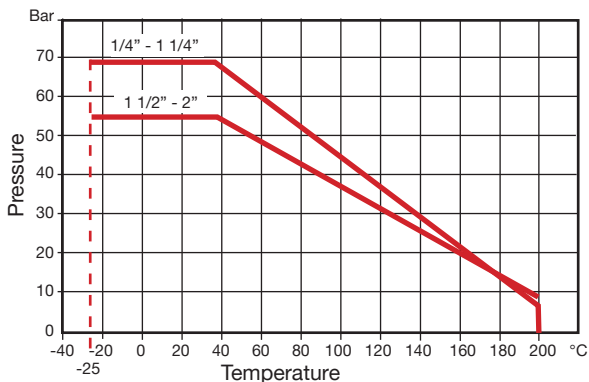
Max pressure: 1/4" - 1 1/4" 69 Bar  
 1 1/2" - 2" 55 Bar

Working temp: -25°C to +200°C

DN	1/4"	3/8"	1/2"	3/4"	1"	1 1/4"	1 1/2"	2"
d	5.0	7.0	9.0	12.5	15.0	20.0	25.0	32.0
L	40	45	60	60	71	78	82	100
H	33	36	37	42	52	56	65	70
W	67	67	93	93	103	103	125	125
Torque	2	2	3	3	4	5	7	9
Kv	3.6	9.4	23.0	28.5	43.8	63.0	102.0	165.0
Kgs	0.09	0.12	0.19	0.28	0.39	0.58	0.85	1.35

#### N. Part Name Materials

1	Body	CF8M
2	Ball	Stainless Steel 316
3	Body Gasket	PTFE
4	Cap	CF8M
5	Ball Seat	R-PTFE (15%)
6	Stem	Stainless Steel 316
7	Thrust Washer	PTFE
8	Stem Packing	PTFE
9	Washer	Stainless Steel 304
10	Spring Washer	Stainless Steel 304
11	Nut	Stainless Steel 304
12	Handle	Stainless Steel 304
13	Handle Cover	Plastic
14	Lock Device	Stainless Steel 304



V1. Dimensions in mm

This data sheet is designed as a guide and should not be regarded as wholly accurate in every detail. We reserve the right to amend the specification of any product without notice.