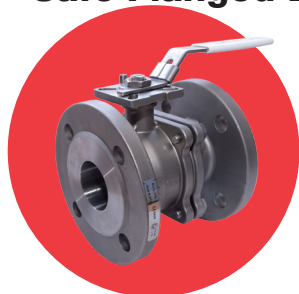


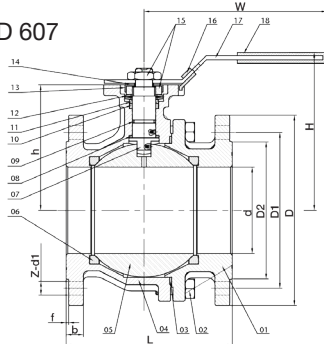
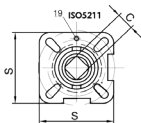
ART 956

PN16/40 Stainless Steel Fire Safe Flanged Ball Valve



Features

- Flanged PN16 / PN40
- Full bore
- ISO 5211 direct mount
- TUV certified to API STD 607
- Anti static device
- Locking device



Technical data

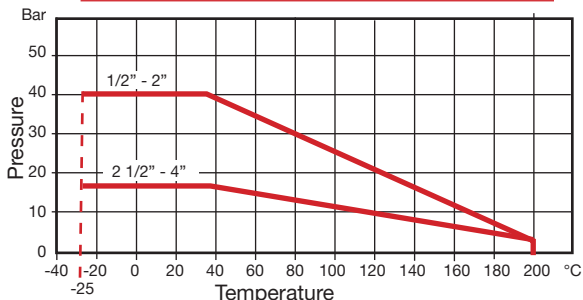
Max pressure: 1/2" to 2" - 40 Bar. 2.1/2" to 4" - 16 Bar.

Working temp: -25°C to +200°C

DN	1/2"	3/4"	1"	1 1/4"	1 1/2"	2"	2 1/2"	3"	4"
d	15	20	25	32	40	50	65	80	100
L	115	120	125	130	140	150	170	180	190
D	95	105	115	140	150	165	185	200	220
D1	65	75	85	100	110	125	145	160	180
D2	45	58	68	78	88	102	122	138	158
b	16	18	18	18	18	20	18	20	20
f	2	2	2	2	3	3	3	3	3
H	82	87	90	100	116	125	154	164	180
W	117	117	164	164	203	203	255	255	302
C	9	9	11	11	14	14	17	17	17
ISO5211	F03/F04	F03/F04	F04/F05	F04/F05	F05/F07	F05/F07	F07/F10	F07/F10	F07/F10
Z-d1	4-Ø14	4-Ø14	4-Ø14	4-Ø18	4-Ø18	4-Ø18	4-Ø18	8-Ø18	8-Ø18
h	48.0	53.0	58.5	71.0	76.5	85.0	100.0	112.5	125.5
s	42.6	42.6	50.0	50.0	64.5	64.5	93.6	93.6	93.6
Torque	5	8	10	14	18	25	48	75	110
Kv	35	46	72	105	170	275	507	905	1414
Kgs	2.11	2.12	2.86	5.40	6.74	9.10	14.25	17.88	31.75

N.	Part Name	Materials
1	Cap	CF8M
2	Bolt	Stainless Steel 304
3	Body Gasket	Pure Graphite
4	Body	CF8M
5	Ball	Stainless Steel 316
6	Ball Seat	Pure PTFE
7	Stem	Stainless Steel 316
8	Thrust Washer	Pure PTFE
9	O-Ring	Viton
10	Stem Packing	Pure Graphite
11	Packing Ring	Stainless Steel 304
12	Belleville Washer	Stainless Steel 301
13	Nut Stopper	Stainless Steel 304
14	Plate Washer	Stainless Steel 304
15	Nut	Stainless Steel 304

N.	Part Name	Materials
16	Lock Device	Stainless Steel 304
17	Handle	Stainless Steel 304
18	Plastic Cover	Plastic
19	Stop Pin	Stainless Steel 304



V1. Dimensions in mm

This data sheet is designed as a guide and should not be regarded as wholly accurate in every detail. We reserve the right to amend the specification of any product without notice.