

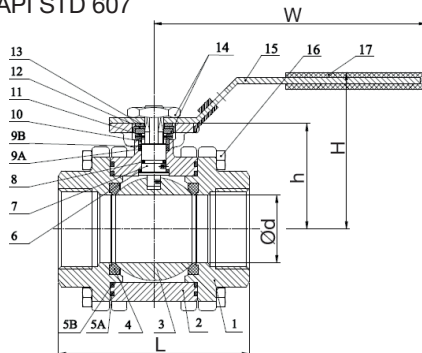
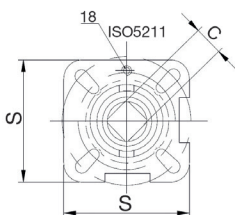
ART 995T

Stainless Steel Fire Safe 3 Piece Ball Valve



Features

- BSP Taper (ISO 7/1)
- Full bore
- ISO direct mount
- TUV certified to API STD 607
- Anti static device
- Fire safe & anti static
- Locking device



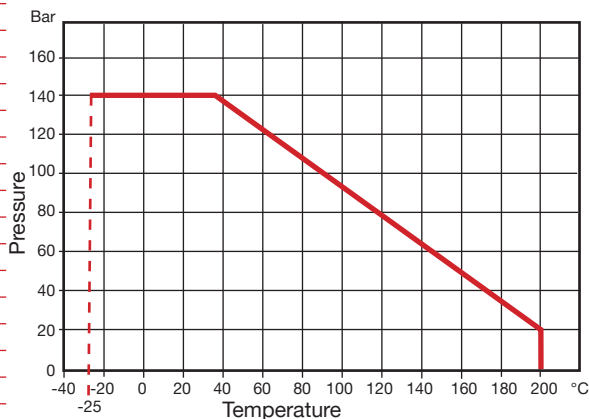
Technical data

Max pressure: 140 Bar

Working temp: -25°C to +200°C

DN	1/2"	3/4"	1"	1 1/4"	1 1/2"	2"	2 1/2"	3"	4"
d	15	20	25	32	40	50	65	80	100
L	75	80	90	110	120	140	185	205	240
H	70	78	87	98	104	112	140	153	166
h	42	50	58	64	69.5	78	100	112.5	125.5
W	117	134	134	203	203	203	255	255	302
C	9	11	11	14	14	14	17	17	17
ISO5211	F03/F04	F04/F05	F04/F05	F05/F07	F05/F07	F05/F07	F07/F10	F07/F10	F07/F10
N.m	5	8	10	14	18	25	48	75	110
S	42.6	50.0	50.0	64.5	64.5	64.5	93.6	93.6	93.6
Kv	35.0	46.0	72.0	105.0	170.0	275.0	507.0	905.0	1414.0
Kgs	0.55	0.96	1.41	2.19	3.26	4.13	8.58	13.30	22.30

N.	Part Name	Materials
1	Cap	CF8M
2	Body	CF8M
3	Ball	Stainless Steel 316
4	Ball Seat	Pure PTFE
5A/B	Body Gasket A/B	Pure Graphite
6	Thrust Washer	Pure PTFE
7	Stem	Stainless Steel 316
8	O-Ring	VITON
9A/B	Stem Packing A/B	Pure Graphite
10	Gland	Stainless Steel 304
11	Belleville	Stainless Steel 301
12	Nut Stopper	Stainless Steel 304
13	Tap Washer	Stainless Steel 304
14	Nut	ASTM A194 7
15	Handle	Stainless Steel 304
16	Bolt	ASTM A193 B7
17	Handle Cover	Plastic
18	Stop Pin	Stainless Steel 304



V1. Dimensions in mm

This data sheet is designed as a guide and should not be regarded as wholly accurate in every detail. We reserve the right to amend the specification of any product without notice.