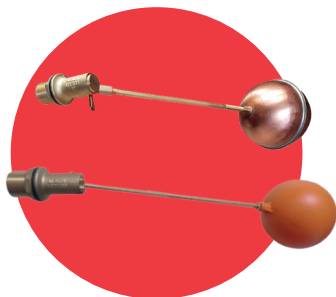


ART 1100

Float Valve



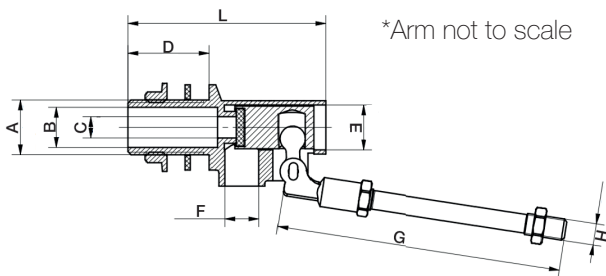
Features

- Screwed BSP Parallel (ISO 228/1)
- Supplied with locknut
- Machined fixed flange on valve body
- No jam single lever action
- Replaceable seals
- Copper and plastic float option available
- DZR Brass option also available

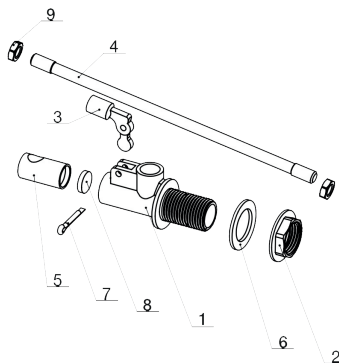
Technical data

Max pressure: 16 Bar

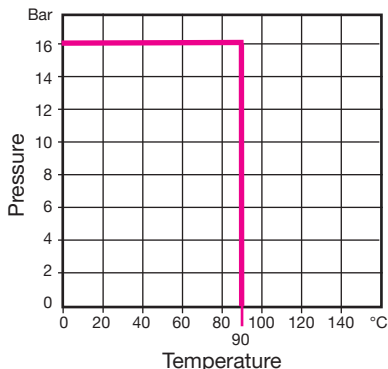
Working temp: -20°C to +90°C



| N. | Part Name | Materials |
|----|-------------|---------------------|
| 1 | Body | Brass HPb57-3 |
| 2 | Back Nut | Brass HPb57-3 |
| 3 | Plunger | Brass HPb57-3 |
| 4 | Arm | Brass HPb57-3 |
| 5 | Piston | Brass HPb57-3 |
| 6 | Washer | EPDM |
| 7 | Pin | Brass HPb57-3 |
| 8 | Washer | EPDM |
| 9 | Locking Nut | Stainless Steel 304 |



| A | 1/2" | 3/4" | 1" | 1.1/4" | 1.1/2" | 2" |
|-----------------|--------|--------|------|--------|--------|------|
| B | 15.0 | 21.0 | 26.5 | 34.5 | 40.0 | 49.5 |
| C | 8 | 10 | 10 | 15 | 17 | 17 |
| D | 30 | 30 | 36 | 50 | 50 | 50 |
| E | 16.7 | 20.7 | 20.5 | 21.5 | 21.5 | 21.5 |
| F | 12.5 | 15.0 | 15.0 | 24.0 | 27.0 | 27.0 |
| G | 220 | 240 | 270 | 330 | 380 | 430 |
| H | M8 | M8 | M8 | M10 | M10 | M12 |
| L | 73 | 75 | 84 | 126 | 131 | 131 |
| Float Size | 4.1/2" | 4.1/2" | 5" | 8" | 8" | 10" |
| Kgs (Excl ball) | 0.24 | 0.31 | 0.41 | 0.81 | 1.05 | 1.45 |



V1. Dimensions in mm

This data sheet is designed as a guide and should not be regarded as wholly accurate in every detail. We reserve the right to amend the specification of any product without notice.

Temperature

Pg. 1/2

ART 1100

Float Valve



| Size | Pressure | Flow | Pressure | Flow |
|-------------|----------|---------|----------|---------|
| 1/2" | 50psi | 20 gpm | 100psi | 31 gpm |
| 3/4" | 50psi | 40 gpm | 100psi | 60 gpm |
| 1" | 50psi | 100 gpm | 100psi | 150 gpm |
| 1.1/4" - 2" | 50psi | 250 gpm | 100psi | 348 gpm |

Plastic floats - Polyethylene



Left: Plastic ball for 1/2" to 2"

| Diameter Size | 4 1/2" | 5" | 8" | 10" |
|---------------|--------|------|------|------|
| Kgs | 0.07 | 0.09 | 0.35 | 0.65 |

Copper floats



Left: Copper ball for 1/2" to 1"



Right: Copper ball for 1.1/4" to 2"

| Diameter Size | 4 1/2" | 5" | 8" | 10" |
|---------------|--------|------|-----|------|
| Kgs | 0.08 | 0.13 | 0.4 | 0.65 |