

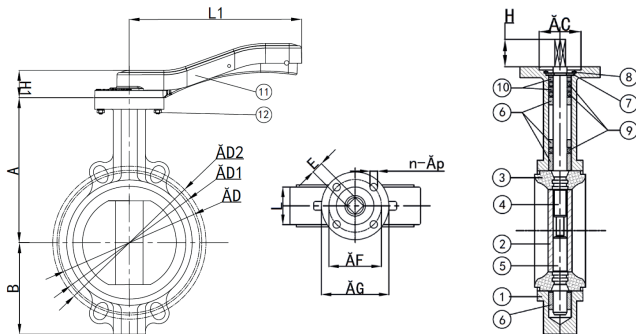
ART 115

Ductile Iron Butterfly Valve Wafer Type



Features

- Universal flange mounting PN10, PN16, ASA150
- BS5155 (BS EN 593) / ANSI 150
- ISO 5211 direct mount
- Lockable handle
- Epoxy coat finish
- MSS-SP-67



Technical data

Max pressure: 16 Bar

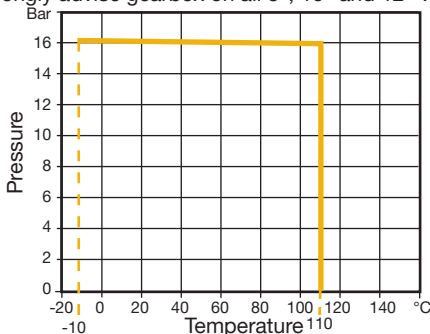
Working temp: -10°C to +110°C

| DN | 50 | 65 | 80 | 100 | 125 | 150 | 200 | 250 | 300 |
|-----------------|---------|---------|---------|---------|---------|---------|---------|---------|---------|
| A | 142.0 | 154.5 | 161.0 | 180.0 | 193.0 | 205.0 | 250.0 | 282.0 | 326.0 |
| B | 60 | 70 | 85 | 104 | 120 | 135 | 171 | 205 | 248 |
| C | 56 | 56 | 56 | 56 | 56 | 56 | 71 | 71 | 71 |
| D | 125 | 145 | 160 | 180 | 210 | 240 | 295 | 350 | 400 |
| D1 | 125 | 145 | 160 | 180 | 210 | 240 | 295 | 355 | 410 |
| D2 | 120.7 | 139.7 | 152.4 | 190.5 | 215.9 | 241.3 | 298.5 | 362.0 | 431.8 |
| E | 11 | 11 | 11 | 11 | 14 | 14 | 17 | 22 | 22 |
| F | 70 | 70 | 70 | 70 | 70 | 70 | 102 | 102 | 102 |
| G | 90 | 90 | 90 | 90 | 90 | 90 | 125 | 125 | 125 |
| H | 19 | 19 | 19 | 19 | 19 | 19 | 25 | 30 | 30 |
| H1 | 31 | 31 | 31 | 36 | 36 | 36 | 42 | 42 | 42 |
| L | 41.4 | 44.0 | 44.6 | 51.4 | 53.8 | 55.1 | 59.5 | 65.0 | 75.9 |
| L1 | 176 | 176 | 176 | 225 | 225 | 225 | 300 | 359 | 359 |
| Holes PN10 | 4-19 | 4-19 | 8-19 | 8-19 | 8-19 | 8-23 | 8-23 | 12-23 | 12-23 |
| Holes PN16 | 4-19 | 4-19 | 8-19 | 8-19 | 8-19 | 8-23 | 12-23 | 12-28 | 12-28 |
| Holes CLASS 150 | 4-19.05 | 4-19.05 | 4-19.05 | 8-19.05 | 8-22.35 | 8-22.35 | 8-22.35 | 12-25.4 | 12-25.4 |
| n-Øp | 4-10 | 4-10 | 4-10 | 4-10 | 4-10 | 4-10 | 4-12 | 4-12 | 4-12 |
| Torque | 19 | 21 | 28 | 43 | 60 | 91 | 194 | 295 | 412 |
| Kv | 118 | 258 | 510 | 926 | 1500 | 2170 | 3842 | 5014 | 9230 |
| Kgs | 2.10 | 2.50 | 3.00 | 3.80 | 5.20 | 6.30 | 11.20 | 17.20 | 32.60 |

We strongly advise gearbox on all 8", 10" and 12" valves.

N. Part Name Materials

| | | |
|----|-------------|---------------------------------|
| 1 | Body | Ductile Iron GGG40 |
| 2 | Disc | Stainless Steel 316 |
| 3 | Seat | WRAS EPDM |
| 4 | Upper Shaft | Stainless Steel 420 |
| 5 | Lower Shaft | Stainless Steel 420 |
| 6 | Bushing | PTFE |
| 7 | Split Pin | Spring Steel 65Mn |
| 8 | Circlip | Spring Steel 65Mn |
| 9 | O-Ring | WRAS EPDM |
| 10 | Ring | Nylon 6 PA6 |
| 11 | Handle | DN50-150 Aluminium DN200-300 DI |
| 12 | Bolt | Stainless Steel 304 |



V1. Dimensions in mm

This data sheet is designed as a guide and should not be regarded as wholly accurate in every detail. We reserve the right to amend the specification of any product without notice.