

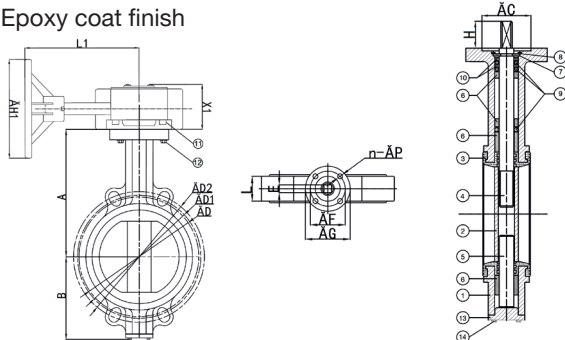
ART 115GB

DN350-600 Ductile Iron Butterfly Valve Wafer Type



Features

- Universal flange mounting PN10, PN16, ASA150
- BS5155 (BS EN 593) / ANSI 150
- ISO 5211 direct mount
- Epoxy coat finish
- MSS-SP-67



Technical data

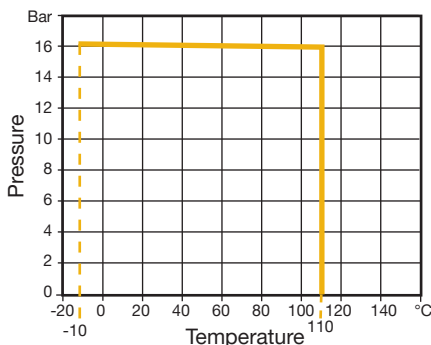
Max pressure: 16 Bar

Working temp: -10°C to +110°C

| DN | 350 | 400 | 450 | 500 | 600 |
|-----------------|-----------|-----------|-----------|-----------|-----------|
| A | 345 | 390 | 422 | 470 | 552 |
| B | 262 | 305 | 341 | 373 | 445 |
| C | 71.0 | 100.5 | 100.5 | 100.5 | 130.5 |
| D | 460 | 515 | 565 | 620 | 725 |
| D1 | 470 | 525 | 585 | 650 | 770 |
| D2 | 476.3 | 539.8 | 577.9 | 635.0 | 749.3 |
| E | 22 | 27 | 27 | 27 | 36 |
| F | 102 | 140 | 140 | 140 | 165 |
| G | 125 | 175 | 175 | 175 | 210 |
| H | 40 | 52 | 52 | 64 | 70 |
| H1 | 300 | 300 | 300 | 300 | 300 |
| L | 78 | 102 | 114 | 127 | 154 |
| L1 | 225 | 131 | 131 | 131 | 138 |
| Holes PN10 | 16-Å23 | 16-Å28 | 20-Å28 | 20-Å28 | 20-Å31 |
| Holes PN16 | 16-Å28 | 16-Å31 | 20-Å31 | 20-Å34 | 20-Å37 |
| Holes CLASS 150 | 12-Å28.45 | 16-Å28.45 | 16-Å31.75 | 20-Å31.75 | 20-Å35.05 |
| X1 | 84 | 264 | 264 | 269 | 307 |
| n-Åp | 4-12 | 4-18 | 4-18 | 4-18 | 4-23 |
| Torque | 840 | 1260 | 2070 | 2670 | 5295 |
| Kv | 10790 | 14081 | 17842 | 22030 | 31780 |
| Kgs | 62.0 | 121.7 | 134.0 | 162.6 | 236.4 |

N. Part Name Materials

| | | |
|----|-------------|---------------------|
| 1 | Body | Ductile Iron GGG40 |
| 2 | Disc | CF8M |
| 3 | Seat | WRAS EPDM |
| 4 | Upper Shaft | Stainless Steel 431 |
| 5 | Lower Shaft | Stainless Steel 431 |
| 6 | Bushing | H65 |
| 7 | Cotter Pin | Spring Steel 65Mn |
| 8 | Circlip | Spring Steel 65Mn |
| 9 | O-Ring | WRAS EPDM |
| 10 | Ring | Nylon 6 PA6 |
| 11 | Gearbox | DI |
| 12 | Bolt | Stainless Steel 304 |
| 13 | End Cover | Ductile Iron GGG40 |
| 14 | Bolt | Stainless Steel 304 |



V1. Dimensions in mm

This data sheet is designed as a guide and should not be regarded as wholly accurate in every detail. We reserve the right to amend the specification of any product without notice.