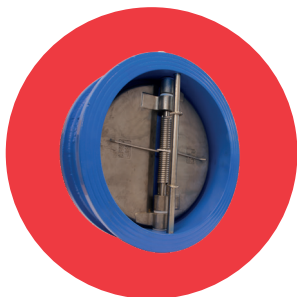


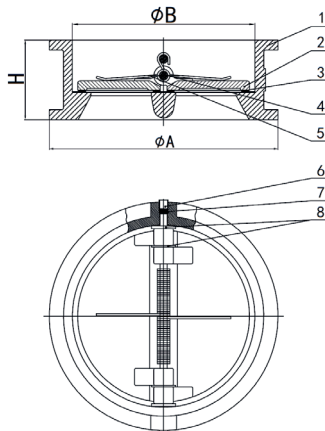
ART 121 ANSI

DN350-600 Cast Iron Dual Plate Wafer Check Valve



Features

- Flange mounting to suit ANSI B16.42 Class 150 only
- Conforms to API 594
- Epoxy coat finish

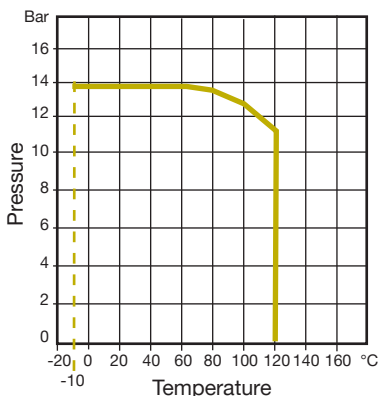


Technical data

Max pressure: 13.8 Bar
Working temp: -10°C to +120°C

DN	350	400	450	500	600
A	447	511	546	603	714
B	375	416	467	514	616
H	184	191	203	219	222
Kgs	69.0	80.0	103.0	118.0	192.0

N.	Part Name	Materials
1	Body	Cast Iron GG25
2	Disc	Stainless Steel CF8M
3	Seat	EPDM
4	Shaft	Stainless Steel 410
5	Spring	Stainless Steel 316
6	Plug	Steel
7	Plug	NBR
8	Washer	PTFE



V1. Dimensions in mm

This data sheet is designed as a guide and should not be regarded as wholly accurate in every detail. We reserve the right to amend the specification of any product without notice.