

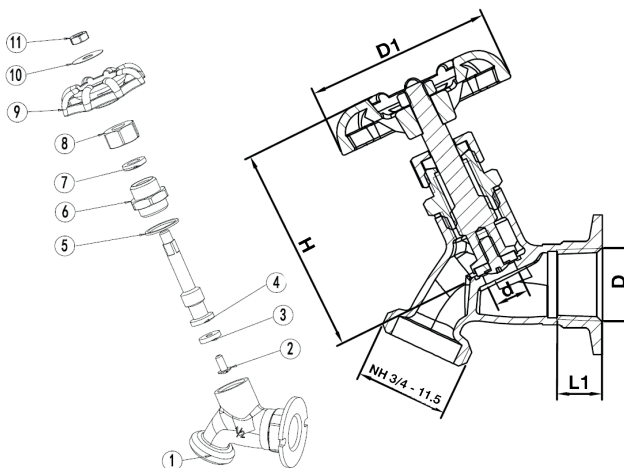
ART 1225

Lead Free Brass Hose Bib Taps



Features

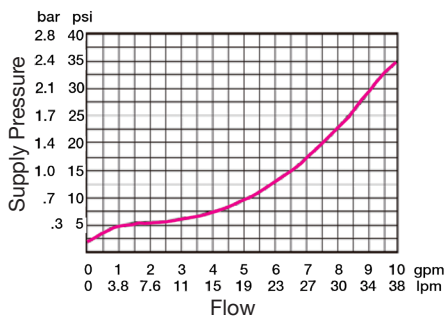
- Female threads NPT (ANSI B1.20.1)
- Male threads 3/4" NHT



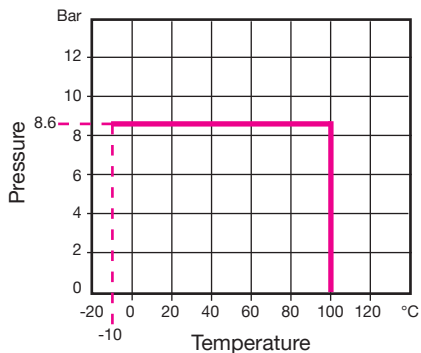
Technical data

Max pressure: 125psi (8.6 Bar)
Working temp: -10°C to +100°C

DN	1/2"	3/4"
D1	53	53
d	10	10
L1	13.5	13.5
H	60.2	60.2
Kgs	0.21	0.23



N.	Part Name	Materials
1	Body	Lead Free Brass C46500
2	Screw	Brass
3	Gasket	EPDM
4	Stem	Lead Free Brass C46500
5	Gasket	PTFE
6	Bonnet	Lead Free Brass C46500
7	Gasket	EPDM
8	Nut	Brass
9	Handwheel	Cast Iron
10	Gasket	Aluminium
11	Nut	Steel Q235



V1. Dimensions in mm

This data sheet is designed as a guide and should not be regarded as wholly accurate in every detail. We reserve the right to amend the specification of any product without notice.