

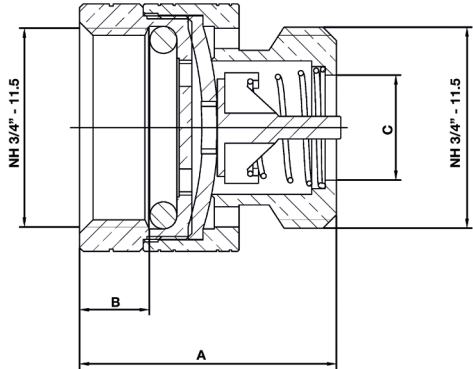
ART 1250

Lead Free Brass Vacuum Breaker



Features

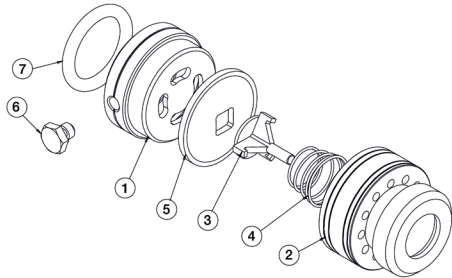
- Male / Female NHT threads
- Conforms to ANSI A1 12.1.13 ASSE standard 1011
- Anti tamper screw
- Manual drain feature



Technical data

Max pressure: 125psi (8.6 Bar)
Working temp: 5°C to +82°C

DN	3/4"
A	34.3
B	9.3
C	14.0
Kgs	0.11



N.	Part Name	Materials
1	Body	Lead Free Brass C46500
2	Bonnet	Lead Free Brass C46500
3	Core	POM
4	Spring	Stainless Steel
5	Gasket	NBR
6	Screw	Brass
7	O-Ring	NBR

