

ART 1300

Bronze Air Release Valve



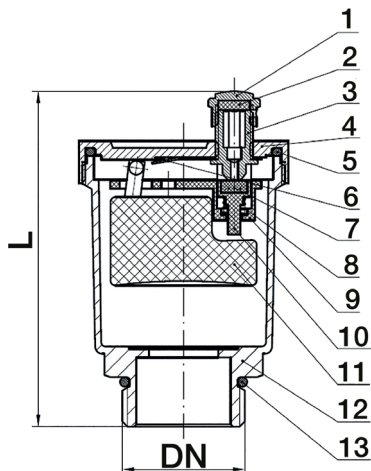
Features

- Screwed BSP Parallel (ISO 228/1)
- Fitted with O-Ring seal

Technical data

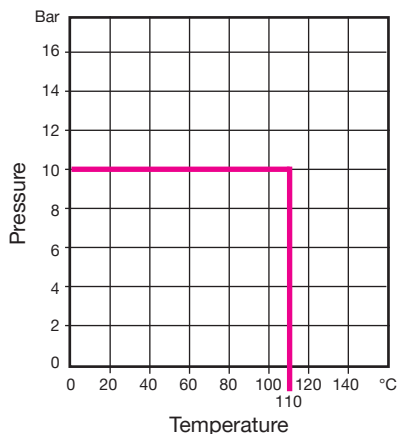
Max pressure: 10 Bar

Working temp: 0°C to +110°C



DN	1/2"	3/4"	1"
L	71.3	71.3	74.3
Kgs	0.17	0.18	0.20

N.	Part Name	Materials
1	Nut	Brass HPb59-1
2	Rubber Gasket	EPDM (65° SH (Shore Hardness))
3	Hexagon Screw	Brass HPb57-3
4	Valve Bonnet	Bronze C83600
5	O-Ring	EPDM (70°SH (Shore Hardness))
6	Iron Fittings	Stainless Steel
7	Rubber Gasket	EPDM (65°SH (Shore Hardness))
8	Spring	Stainless Steel
9	Connect Plastic	POM
10	Plastic Cartridge	POM
11	Plastic Parts	Polypropylene PP
12	Valve Body	Bronze C83600
13	O-Ring	EPDM (70°SH (Shore Hardness))



V1. Dimensions in mm

This data sheet is designed as a guide and should not be regarded as wholly accurate in every detail. We reserve the right to amend the specification of any product without notice.