

ART 1335

Water Hammer Arrestor

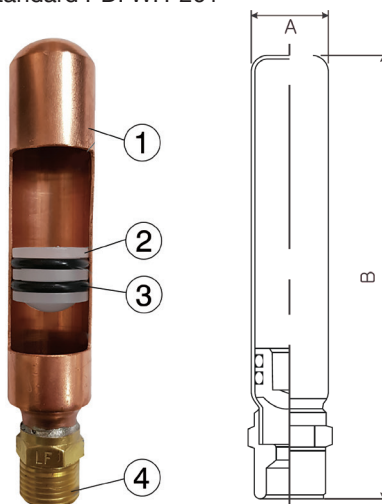


Features

- Available with BSP or NPT threads.
- Lead free
- Precharged, permanent sealed air chamber to absorb the shock
- Approved for installation with no access panel required
- May be installed in new or existing plumbing systems with a standard pipe tee
- Air pre-load is 60psi (4.2 Bar)
- Factory air charged and permanently sealed
- Design standard PDI WH-201

Technical data

Working pressure: 150 psi (10.6 Bar)
 Max. pressure: 350psig
 Working temp: 0.5°C to +82°C



Pipe Sizing

Suffix	Description
A	Conn, Size 1/2" (15), Height 5.945" (151)
B	Conn Size 3/4" (20), Height 7.264" (184.5)
C	Conn Size 1" (25), Height 8.799" (233.5)
D	Conn Size 1" (25), Height 9.941" (252.5)
E	Conn Size 1" (25), Height 12.697" (322.5)
F	Conn Size 1" (25), Height 11.161" (283.5)

Technical data & dimensions

	A	B	C	D	E	F
Fixture Unit	1-11	12-32	33-60	61-113	114-154	155-330
A	1.125" (28.58)	1.125" (28.58)	1.625" (41.28)	2.125" (53.98)	2.125" (53.98)	2.625" (66.68)
B	5.945" (151)	7.264" (184.5)	8.799" (223.5)	9.941" (252.5)	12.697" (322.5)	11.161" (283.5)
Kgs	0.17	0.22	0.46	0.75	0.92	1.12

N.	Part Name	Materials
1	Body	Copper
2	Piston	Polypropylene
3	O-Rings	EPDM
4	Adaptor	Lead Free Brass

V1. Dimensions in mm

This data sheet is designed as a guide and should not be regarded as wholly accurate in every detail. We reserve the right to amend the specification of any product without notice.