

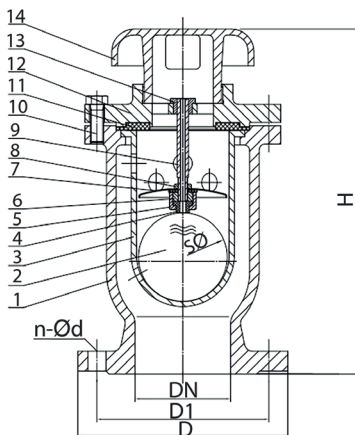
# ART 1440 ANSI

## Ductile Iron Flanged Air Release Valve



### Features

- Flanged mounting ANSI 150 (B16.42)
- Conforms to ASME B16.10
- WRAS approved coating
- Internally and externally fusion bonded epoxy coated



### Technical data

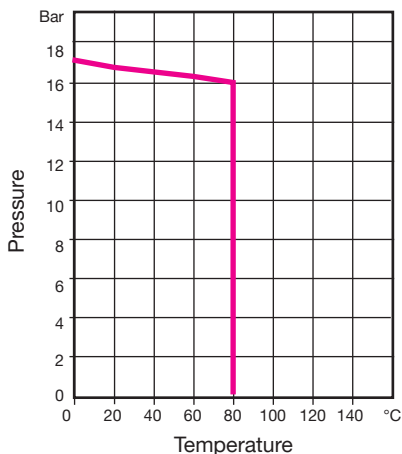
Max. pressure: 17.2 Bar

Working temp: 0°C to +80°C

DN	50	65	80	100	150	200	250	300
D	152	178	191	229	279	343	406	483
D1	120.5	139.5	152.5	190.5	241.5	298.5	362.0	432.0
n-d	4-Ø19	4-Ø19	4-Ø19	8-Ø19	8-Ø22.4	8-Ø22.4	12-Ø25.4	12-Ø25.4
H	330	365	365	387	465	495	525	587
SØ	94	94	94	94	135	160	200	250
Kgs	16.0	20.0	22.5	50.0	55.0	68.0	75.0	96.0

### N. Part Name Materials

1	Body	Ductile Iron ASTM A536
2	Ball	Stainless Steel A351 Grade CF8
3	Sleeve	Ductile Iron ASTM A536
4	Seat	NBR ASTM D1349
5	Bearing	Brass ASTM B124M
6	Plug	Brass ASTM B124M
7	Guide	Stainless Steel ASTM A276 CF8
8	Nut	Brass ASTM B124M
9	Stem	Brass ASTM B124M
10	Bolt	Stainless Steel ASTM A276 CF8
11	Washer	NBR ASTM D1349
12	Bonnet	Ductile Iron ASTM A536
13	Bush	Brass ASTM B124M
14	Cover	Ductile Iron ASTM A536



V1. Dimensions in mm

This data sheet is designed as a guide and should not be regarded as wholly accurate in every detail. We reserve the right to amend the specification of any product without notice.