

ART 1597

Thermostatic Head

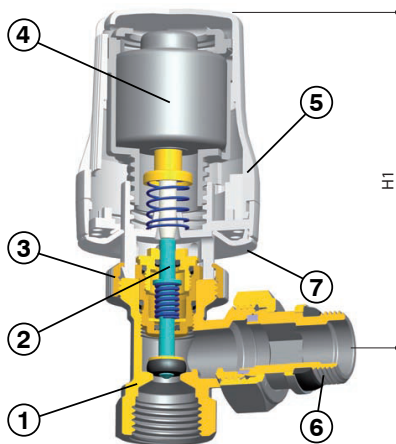
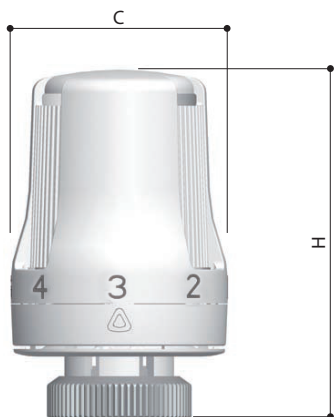


Features

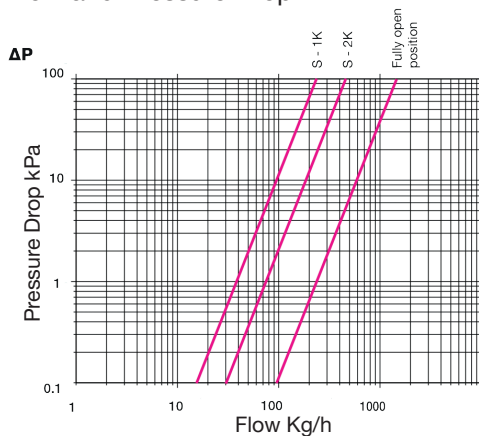
- Screwed BSP Parallel (ISO 228/1)
- Lockable head
- Liquid sensor
- Frost setting 6°C
- Conforms to EN215
- M30 x 1.5 standard connection

Technical data

Max pressure: 10 Bar
Max working temp: 100°C



Flow and Pressure Drop



Dimensions

C	51.0
H	76.5
H1	97.0

N. Part Name Materials

1	Body	Brass Nickel Plated
2	Bonnet	Brass
3	Locking Ring	Brass Nickel Plated
4	Thermostat	-
5	Handle	ABS
6	Tail Piece	Brass Nickel Plated
7	Ring	ABS

V1. Dimensions in mm

This data sheet is designed as a guide and should not be regarded as wholly accurate in every detail. We reserve the right to amend the specification of any product without notice.