

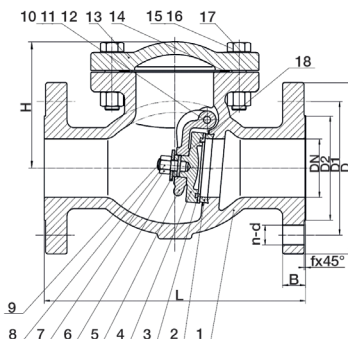
ART 167 PN25

PN25 Cast Iron Swing Check Valve



Features

- Flange mounting PN25 only
- Flange conforms to BS EN1092 PN25
- BS5153 (BS EN558-1 Series 21)



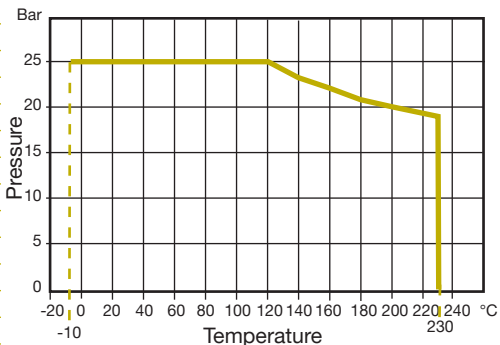
Technical data

Max pressure: 25 Bar
Working temp: -10°C to +230°C

DN	2"	2 1/2"	3"	4"	5"	6"	8"	10"	12"
L	267	292	318	356	400	444	533	622	711
D	165	191	210	254	279	318	381	445	521
D1	125	145	160	190	220	250	310	370	430
D2	99	118	132	156	184	211	274	330	389
B	22.2	25.4	28.6	31.8	34.9	36.5	41.3	47.6	50.8
n-d	4-19	8-19	8-19	8-23	8-28	8-28	12-28	12-31	16-31
f	3	3	3	3	3	3	3	3	4
H	135	150	166	190	206	244	291	337	383
Kgs	17.6	31.0	35.8	55.7	80.4	110.9	180.0	277.0	408.5

N. Part Name Materials

1	Body	Cast Iron BS EN1561 EN-GJL-250
2	Seat Ring	Cast Bronze BS1400 LG2
3	Disc Ring	Cast Bronze BS1400 LG2
4	Disc	Cast Iron - BS EN1561 EN-GJL-250
5	Hanger	Ductile Iron BS EN1563 EN-GJS-450-10
6	Washer	Stainless Steel BS970 304S15
7	Nut	Stainless Steel BS970 304S15
8	Split Pin	Stainless Steel BS970 304S15
9	Disc Screw	Stainless Steel BS970 304S15
10	Side Pin	Brass BS2874 CZ122
11	Gasket	Teflon
12	Hanger Pin	Stainless Steel BS970 304S15
13	Bonnet	Cast Iron BS EN1561 EN-GJL-250
14	Gasket	EPDM BS EN681-1 IRHD66-75
15	Bolt	Stainless Steel BS970 304S15
16	Nut	Stainless Steel BS970 304S15
17	Identification Plate	Aluminium
18	Pin	Stainless Steel BS970 304S15



V1. Dimensions in mm

This data sheet is designed as a guide and should not be regarded as wholly accurate in every detail. We reserve the right to amend the specification of any product without notice.