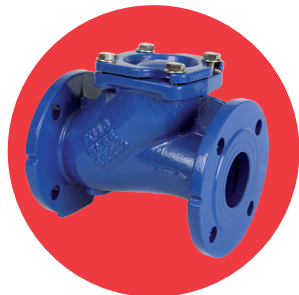


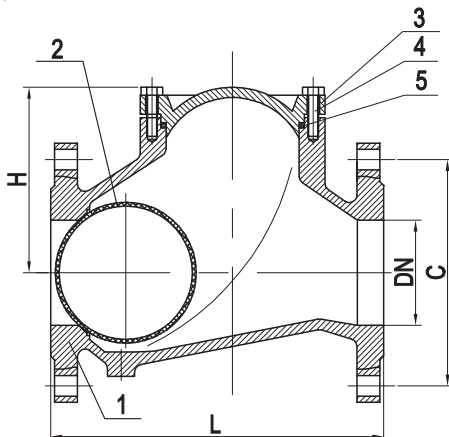
ART 172

PN16 Ductile Iron Ball Check Valve



Features

- Flanged mounting PN16 only
- Valve design according to EN12334
- DIN3202 face-to-face
- Epoxy coat finish

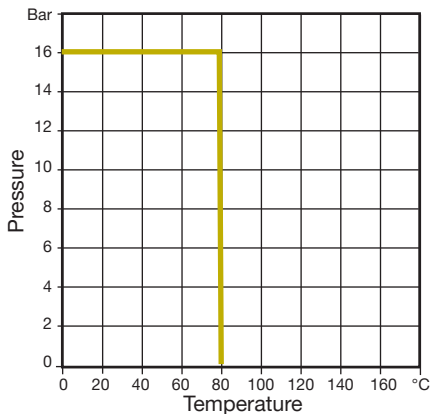


Technical data

Max pressure: 16 Bar
Working temp: 0°C to +80°C

DN	50	65	80	100	125	150	200	250	300
L	200	240	260	300	350	400	500	600	700
C	106	129	146	194	207	240	322	388	458
H	125	145	160	180	210	240	295	355	410
Kgs	7.7	11.2	15.4	21.7	33.0	45.3	90.42	163.0	230.0

N.	Part Name	Materials
1	Body	Ductile Iron EN1563
2	Ball	Metal NBR Coated
3	Cap	Ductile Iron EN1563
4	Bolt	Steel
5	Gasket	NBR



V1. Dimensions in mm

This data sheet is designed as a guide and should not be regarded as wholly accurate in every detail. We reserve the right to amend the specification of any product without notice.