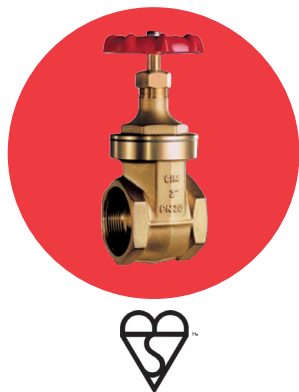


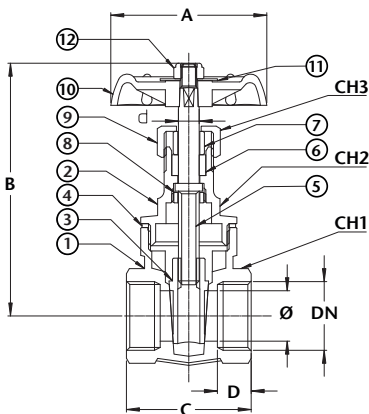
ART 175

PN25 Brass Gate Valve



Features

- Screwed BSP Taper (ISO 7/1)
- Full bore
- BS5154
- Kite Marked KM553179



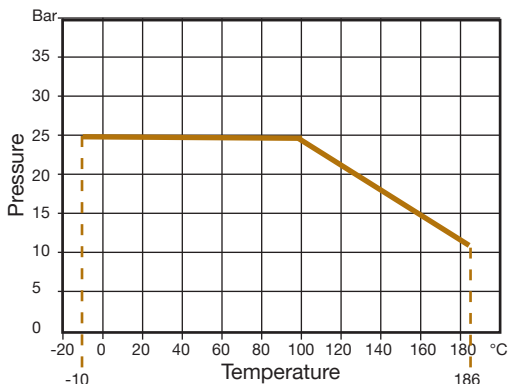
Technical data

Max pressure: 25 Bar

Working temp: -10°C to +186°C

DN	1/2"	3/4"	1"	1 1/4"	1 1/2"	2"	2 1/2"	3"	4"
Ø	13	19.4	26	32	38.5	50.4	64	76.2	101.6
A	55	60	65	75	80	90	120	140	175
B	81	97	107.5	121.5	142	165.5	212	250	296.5
C	44	48	55	61	65	71	92	98	107
D	12	13	15.5	16.5	18	19	24	26	28
CH1	27	33	40	50	56	69	85	100	130
CH2	22	24	26	32	42	52	60	80	110
CH3	19	21	21	25	25	29	33	37	45
d	8	8	9	10	11	12	16	17	19
Kv	10	36	61	90	189	276	450	786	1476
Kgs	0.28	0.40	0.55	0.83	1.24	1.85	3.46	5.09	8.83

N.	Part Name	Materials
1	Body	Brass CW617N
2	Bonnet	Brass CW617N
3	Wedge	Brass CW617N
4	Packing	Graphite
5	Stem	Brass CW617N
6	Gasket	PTFE
7	Gland Screw	Brass CW617N
8	Cap	Brass CW617N
9	Nut	Brass CW617N
10	Handwheel	Steel
11	Plate	Aluminium
12	Self-Locking Nut	Steel



V1. Dimensions in mm

This data sheet is designed as a guide and should not be regarded as wholly accurate in every detail. We reserve the right to amend the specification of any product without notice.