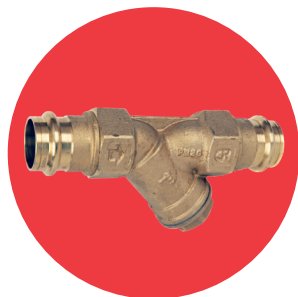


ART 198 PRS

PN20 DZR Brass 'Y' Type Strainer



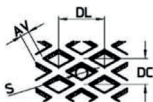
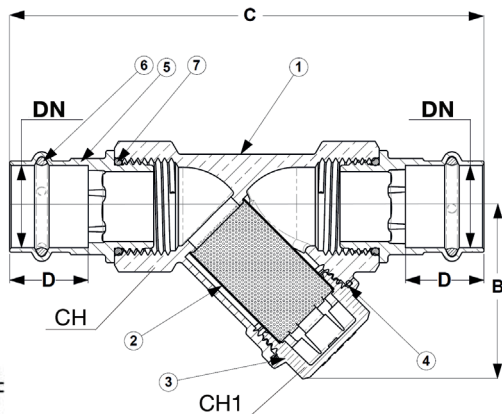
Features

- Universal M & V Profile 15mm to 35mm
- Dedicated M Profile 42mm & 54mm
- Pre-press leak detection
- 5 year warranty

Technical data

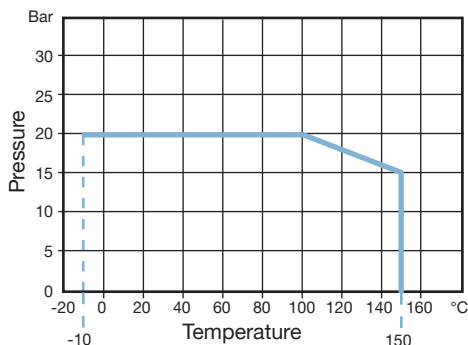
Max pressure: 20 Bar

Working temp: -10°C to 150°C



DN	15	22	28	35	42	54
B	39	50	60	71	81.5	100
C	152	170	185	202	219	263
D	42	46.5	47	47	51.5	60
CH	28	33	40	51	56	71
CH1	18	22	29	34	39	55
AV	0.4	0.4	0.4	0.4	0.4	0.4
DL	2.5	2.5	2.5	2.5	2.5	2.5
S	0.25	0.25	0.25	0.25	0.25	0.25
DC	1.4	1.4	1.4	1.4	1.4	1.4
Kv	3.4	7	10	16	24	35
Kgs	0.36	0.52	0.77	1.20	1.55	2.72

N.	Part Name	Materials
1	Body	DZR Brass CC752S
2	Strainer	Stainless Steel 304
3	Bonnet	DZR Brass CC752S
4	O-Ring	FKM70 Red
5	Joint	DZR Brass
6	O-Ring (Delta)	EPDM 70 PEROX
7	O-Ring	EPDM 70 PEROX



V1. Dimensions in mm

This data sheet is designed as a guide and should not be regarded as wholly accurate in every detail. We reserve the right to amend the specification of any product without notice.