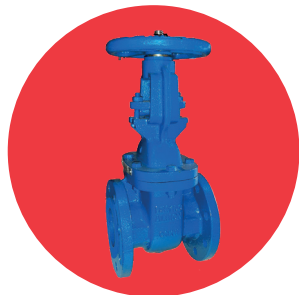


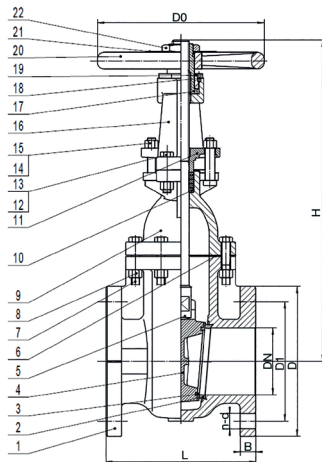
ART 224

ANSI 125 Cast Iron Rising Stem Gate Valve



Features

- Flanged ANSI 125 (B16.1)
- Class 125 Rated
- OSY rising stem
- Conforms to ASME B16.10 & MSS SP-70



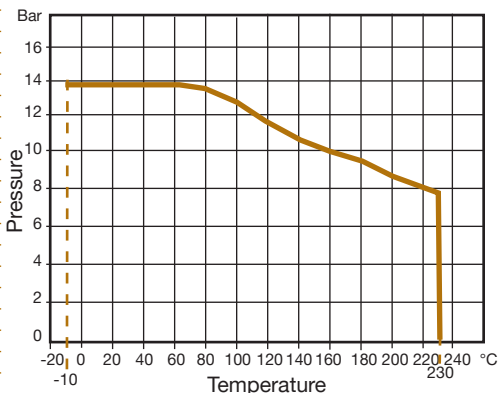
Technical data

Max pressure: 13.8 Bar

Working temp: -10°C to +230°C

DN	2"	2 1/2"	3"	4"	5"	6"	8"	10"	12"	14"	16"	18"	20"	24"
L	178	190	203	229	254	267	292	330	356	381	406	432	457	508
D	152	178	190	229	254	279	343	406	483	533	597	635	699	813
D1	121	140	153	191	216	241	299	362	432	476	540	578	635	750
B	16	18	19	24	24	25	29	30	32	35	37	40	43	48
n-d	4-	4-	4-	8-	8-	8-	8-	12-	12-	12-	16-	16-	20-	20-
	19	19	19	19	22.2	22.2	22.2	25.4	25.4	28.6	28.6	32	32	35
D0	178	178	200	254	300	300	348	400	457	560	560	610	610	765
H	311	347	384	490	541	656	778	933	1102	1259	1395	1560	1708	1990
Kgs	17.1	23	27.5	47.7	70	89	126	208	289	426	603	774	894	1294

N.	Part Name	Materials
1	Body	Cast Iron - ASTM A 126-B
2	Body Seat Ring	Cast Bronze - ASTM B 62
3	Wedge Seat Ring	Cast Bronze - ASTM B 62
4	Wedge	Cast Iron - ASTM A 126-B
5	Stem	Brass - ASTM B 16
6	Gasket	Graphite - Non-Asbestos
7	Bolt	Steel - ASTM A 307 B
8	Nut	Steel - ASTM A 563 B
9	Bonnet	Cast Iron - ASTM A 126-B
10	Packing	Graphite - Non-Asbestos
11	Gland Follower	Ductile Iron - ASTM A536 65-45-12
12	Bolt	Steel
13	Nut	Steel
14	Bolt	Steel
15	Nut	Steel
16	Yoke	Cast Iron - ASTM A 126-B
17	Stem Nut	Cast Brass - Mn-Brass
18	Screw	Steel
19	Nut	Cast Iron - ASTM A 126-B
20	Handwheel	Cast Iron - ASTM A 126-B
21	Identification Plate	Aluminium
22	Handwheel Nut	Steel



V1. Dimensions in mm

This data sheet is designed as a guide and should not be regarded as wholly accurate in every detail. We reserve the right to amend the specification of any product without notice.