

ART 241

PN16 Differential Pressure Control Valve (DPCV)

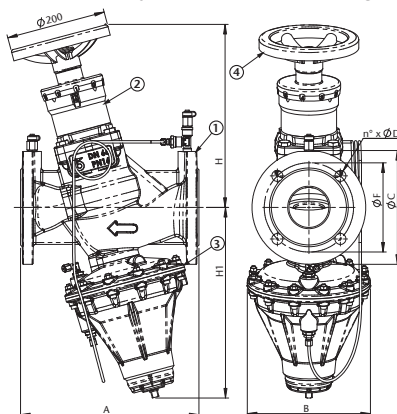


Features

- Cast Iron EN GJL 250, Flanged EN 1092-1, F-F EN 558-1
- Flow measurement function. No need for separate commissioning station partner valve
- Isolation valve function
- Differential pressure can be set and adjusted in situ
- Reduction of commissioning, improved energy saving
- Phased installation and system future-proofing

Technical data

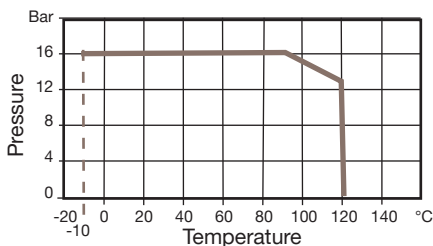
Max pressure: 16 Bar
 Working temp: -10°C to +120°C
 Differential pressure range: 16 Bar (1600 kPa)



DN	65 Low ΔP	65 High ΔP	80 Low ΔP	80 High ΔP	100 Low ΔP	100 High ΔP	125 Low ΔP	150 Low ΔP
H1	310	310	400	400	414	414	436	460
H	305	305	316	316	326	326	367	381
A	290	290	310	310	350	350	400	480
B	200	242	242	242	242	242	242	242
F	145	145	160	160	180	180	210	240
n x D	4x18	4x18	8x18	8x18	8x18	8x18	8x18	8x22
C	185	185	200	200	220	220	250	285
Kgs	24.2	24.2	30.6	30.6	36.1	36.1	51	80
Flow (l/s)	0.278 - 20.833	0.556 - 20.833	0.334 - 23.611	0.834 - 27.777	0.471 - 33.333	0.834 - 41.667	0.834 - 47.222	1.111 - 63.889
ΔP vers (kPa)	20-80	80-160	20-80	80-160	20-80	80-160	20-80	20-80
Kvs	47.6	47.6	70.0	70.0	105.5	105.5	139	191

N. Part Name Materials

1	Body	EN GJL250
2	Regulator	CW617N
3	Diaphragm	EPDM
4	Handwheel	Carbon Steel, Epoxy Coated



V1. Dimensions in mm

This data sheet is designed as a guide and should not be regarded as wholly accurate in every detail. We reserve the right to amend the specification of any product without notice.