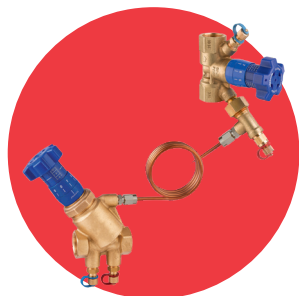


ART 24C & 28DP PN16 DPCV & Partner Valve



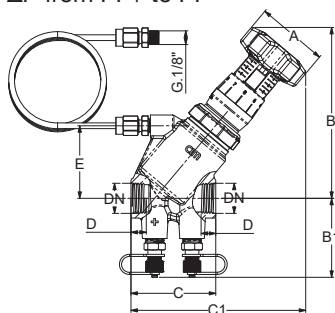
Features

- BSP Parallel (ART 24C ISO 228/1), (ART 28DP ISO 7/1)
- Impulse tube connection point for ART 24C DPCV
- Supplied as shown with fitting and measuring nipples
- Handwheel shut-off function and clear 360° reading
- Allen key locking mechanism enabling valve to be closed and re-opened to its exact pre-set position
- Conforms to BS 7350 / BS 5154
- System ΔP is measured from PF- to P+
System flow may be adjusted on ART 28DP whilst measuring ΔP from PF+ to PF-



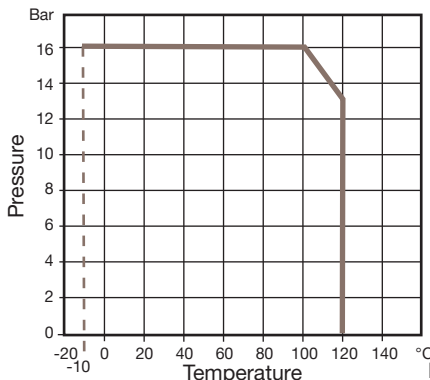
Technical data

Max pressure: 16 Bar
Working temp: -10°C to +120°C
Max Differential Pressure: 400kPa



DN	15 Low ΔP	20 Low ΔP	25 Low ΔP	15 High ΔP	20 High ΔP	25 High ΔP
A	50	50	50	50	50	50
B	119	119	119	119	119	119
B1	55	55	55	55	55	55
C	59	66	72	59	66	72
C1	122	124	131	122	124	131
D	12	13	13.5	12	13	13.5
E	50	50	50	50	50	50
CH	25	31	41	25	31	41
Flow (l/s)	0.021-0.167	0.028-0.347	0.139-0.694	0.042-0.306	0.042-0.556	0.194-0.694
ΔP vers (kPa)	5-30	5-30	5-30	20-60	20-60	20-60
Kv	4.1	4.9	5.0	4.1	4.9	5.0
Kgs	0.87	0.90	1.03	0.87	0.90	1.03

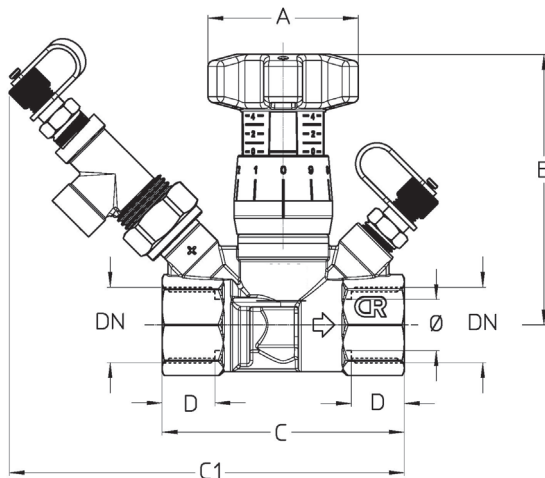
Part Name	Materials
Body	DZR Brass CW602N-M
Bonnet	DZR Brass CW602N-M
Stem	DZR Brass CW602N-M
Screwed End	DZR Brass CW602N-M
Differential Pressure Cartridge	DZR Brass CW602N-M
O-Ring	EPDM
O-Ring	EPDM
Blue Binder Point	DZR Brass CW602N-M
Red Binder Point	DZR Brass CW602N-M
Cap	Plastic



V1. Dimensions in mm

This data sheet is designed as a guide and should not be regarded as wholly accurate in every detail. We reserve the right to amend the specification of any product without notice.

ART 24C & 28DP PN16 DPCV & Partner Valve



DN	15	20	25	32	40	50
A	50	50	50	50	50	50
B	87.5	89.5	91.5	99.0	99.0	100.0
C	77	80	87	108	115	124
C1	139	140	142	157	163	166
D	17.0	18.5	21.0	22.5	23.0	26.5
CH	25	31	38	48	55	66
Thread	½" Rp	¾" Rp	1" Rp	1¼" Rp	1½" Rp	2" Rp
Kvs	1.75	2.87	4.08	6.71	10.40	15.06
Kgs	0.50	0.56	0.63	1.05	1.24	1.47

Part Name	Materials
Body	DZR Brass CW602N-M
Bonnet	DZR Brass CW602N-M
Stem	DZR Brass CW602N-M
Gasket	EPDM
Shutter	DZR Brass CW602N-M
Handwheel	Nylon 6
Screw	DZR Brass CW602N-M
O-Ring	EPDM
Binder Point	DZR Brass CW602N-M

