

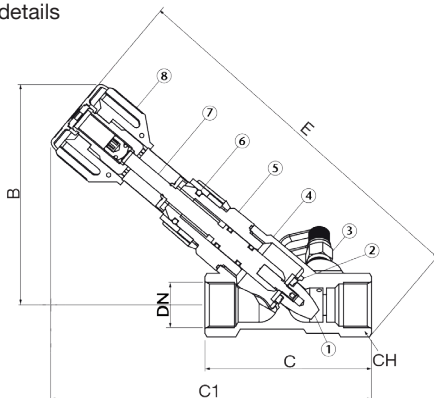
ART 25

DZR Fixed Orifice Double Regulating Valve (FODRV)



Features

- BSP Parallel (ISO 7/1)
- Fixed orifice with $\pm 5\%$ flow measurement accuracy
- Position indicator
- Supplied with 2 fitted test points
- EPDM cone seating gives tight shut off
- Available with press ends - See ART 25 PRS datasheet for more details



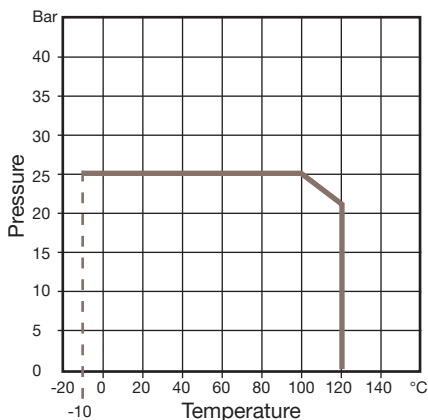
Technical data

Max pressure: 25 Bar

Working temp: -10°C to $+120^{\circ}\text{C}$

DN	1/2"	3/4"	1"	1 1/4"	1 1/2"	2"
A	51	51	51	51	57	57
B	111	128	138	141.5	181	190.5
C	85	97	113	144	163	193
C1	163	187	188	208.5	260	281.5
E	184	215	223	244	308	337
CH	28	33	40	51	56	71
Kv	1.75	3.77	6.96	15.83	21.05	43.90
Kvs	1.80	4.10	7.50	16.60	23.00	47.40
Kgs	0.70	0.98	1.14	1.66	2.50	3.74

N.	Part Name	Materials
1	Cone	DZR Brass
2	Cone Seat	EPDM Rubber
3	Pressure Test Point	DZR Brass
4	Body	DZR Brass
5	Bonnet	DZR Brass
6	O-Ring	Nitrile Rubber
7	Stem	DZR Brass
8	Handwheel	Nylon 6



V1. Dimensions in mm

This data sheet is designed as a guide and should not be regarded as wholly accurate in every detail. We reserve the right to amend the specification of any product without notice.