

# ART 255

## PN16 Ductile Iron Fixed Orifice Double Regulating Valve (FODRV)



### Features

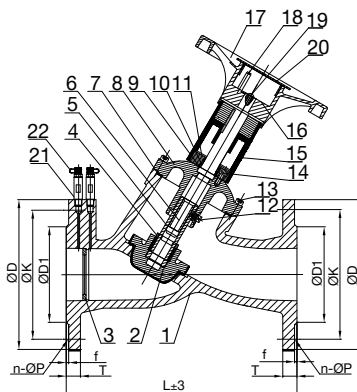
- Flanged PN16
- Position indicator
- Fixed orifice with  $\pm 5\%$  flow measurement accuracy
- Supplied with 2 fitted test points
- Extensions are included but not fitted
- EPDM cone seating gives tight shut off
- Conforms to BS 7350 / BS 5152



### Technical data

Max pressure: 16 Bar

Working temp:  $-20^{\circ}\text{C}$  to  $+120^{\circ}\text{C}$



DN	2"	2 1/2"	3"	4"	5"	6"	8"	10"	12"
DN	50	65	80	100	125	150	200	250	300
D	165	185	200	220	250	285	340	405	460
K	125	145	160	180	210	240	295	355	410
n-Ød	4-Ø19	4-Ø19	8-Ø19	8-Ø19	8-Ø19	8-Ø23	12-Ø23	12-Ø28	12-Ø28
C	19	19	19	19	19	19	20	22	24.5
G	99	118	132	156	184	211	266	319	370
f	3	3	3	3	3	3	3	3	4
L	230	290	310	350	400	480	600	730	850
Kv	38	57	79	137	260	415	612	971	1412
Kvs	47.5	88.6	125	228	341	487	826	1218	1794
Kgs	12.5	16.0	21.0	30.1	42.0	56.0	126.0	195.0	289.0

N.	Part Name	Materials	N.	Part Name	Materials
1	Body	Ductile Iron	13	Screw	Steel
2	Disc	Cast Iron + EPDM	14	Screw	Steel
3	Orifice Plate	Brass	15	Indicator Kit	ABS
4	Stem Nut Cover	Brass	16	Handwheel Sticker	
5	Stem Nut	Brass	17	Handwheel	Aluminium Alloy / Steel
6	Stem	Stainless Steel 410	18	Screw	Stainless Steel 304
7	Graphite Gasket	Graphite	19	Handwheel Lock Screw	Stainless Steel 304
8	Cover	Cast Iron	20	Handwheel Cover	Plastic
9	O-Ring	EPDM	21	Extension Tube	Stainless Steel 304
10	O-Ring	EPDM	22	Test Points	Brass
11	Gland Cover	Stainless Steel 410			
12	Positioning Screw	Stainless Steel 304			

V1. Dimensions in mm

This data sheet is designed as a guide and should not be regarded as wholly accurate in every detail. We reserve the right to amend the specification of any product without notice.