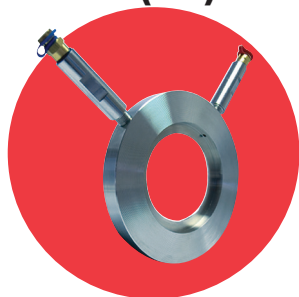


ART 270 HP PN25

PN25 Stainless Steel Orifice Plate (OP)



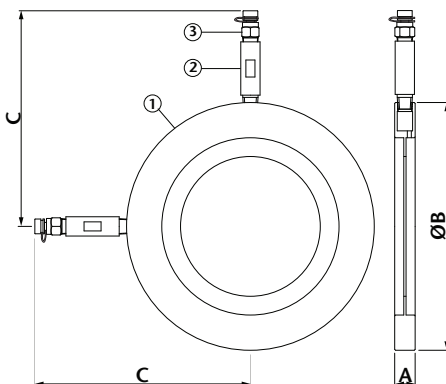
Technical data

Max pressure: 25 Bar

Working temp: -10°C to +120°C

Features

- Wafer pattern
- Fits between BS EN1092 flanges PN25
- Flow characteristics confirmed to BS 7350
- Fixed orifice with $\pm 5\%$ flow measurement accuracy
- Can be close coupled to a double regulating valve
- Supplied with 2 extensions and test points



DN	50	65	80	100	125	150	200	250	300	350	400	450	500	600
A	22	22	22	22	22	22	22	22	22	22	22	32	32	32
B	108	127	142	168	194	224	284	340	400	457	514	564	624	730
C	136	145	153	166	179	194	224	252	282	310	339	364	394	447
Kv	71.6	145.5	219.0	386.0	572.0	807.0	1416	1975	2990	3598	4675	5706	7449	11597
Kvs	57	104	137	241	345	516	863	1218	1794	2128	2766	3375	4407	6861
kgs	1.1	1.3	1.7	2.2	3.3	3.6	5.5	6.1	11.0	13.8	16.8	30.8	33.0	43.5

N.	Part Name	Materials
1	Body	Stainless Steel 304
2	Extension	Stainless Steel 304
3	Pressure Test Point	Brass Hpb59-1

