

ART 32

DZR Brass Thermostatic Balancing Valve with Anti Legionella Device



Features

- BSP Parallel (ISO 7/1)
- Fluid: water
- Automatic Legionella Disinfectant feature
- Improves efficiency of DHW systems
- Automatically responds to changes in system temperature and flow requirements
- Reduces heat loss through lower circulation of hot water
- Keeps temperature evenly distributed and reduces dead-legs



Technical data

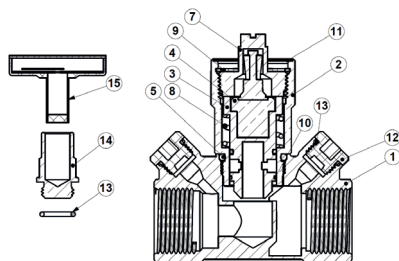
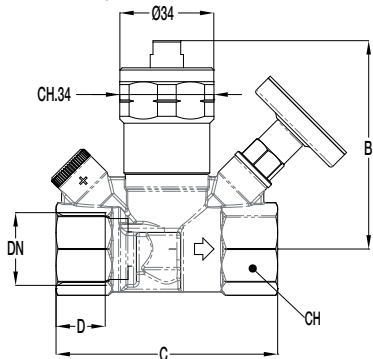
Max pressure (Static): 25 Bar

Working temp: +40°C to +60°C

Max Inlet temp: 90°C

Anti Legionella Temp: 70°C

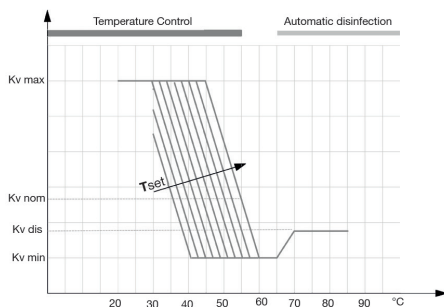
DN	1/2"	3/4"	1"
B	73	75	77
C	77	80	87
D	17	18.5	21
CH	25	31	38
KV Max	1.5	3.1	3.6
KV Nom	0.6	0.7	0.8
KV Dis	0.5	0.5	0.5
KV Min	0.25	0.25	0.25
Kgs	0.49	0.55	0.65



N. Part Name Materials

1	Body	DZR Brass CW602N-M
2	Bonnet	Brass CW510L-DW
3	Shutter	Brass CW510L-DW
4	Thermostatic Element	
5	O-Ring	EDPM PEROX
6	O-Ring	EDPM PEROX
7	Ring Nut	Brass CW617N-DW
8	Spring	INOX AISI 302
9	Seeger	Steel
10	O-Ring	EPDM PEROX
11	Index	Aluminium
12	Plug	Nylon 6.6
13	O-Ring	EPDM PEROX
14	Temperature Gauge Sheath	Brass CW501L-DW
15	Temperature Gauge	Brass CW501L-DW

Regulating Characteristics



V1. Dimensions in mm

This data sheet is designed as a guide and should not be regarded as wholly accurate in every detail. We reserve the right to amend the specification of any product without notice.