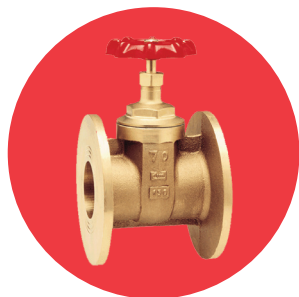


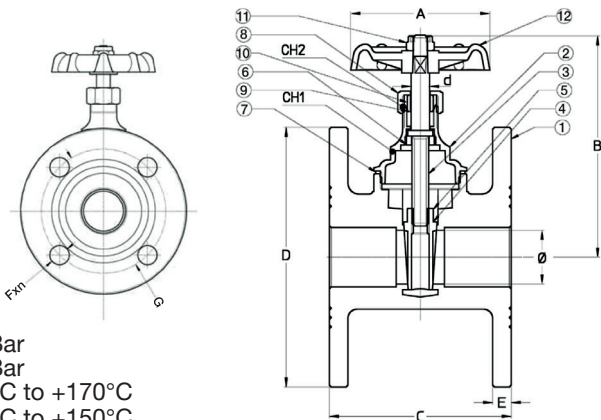
ART 335

PN16 Flanged Bronze Gate Valve



Features

- Flanged PN16 (undrilled on request)
- BS 5154 (BS EN12288)

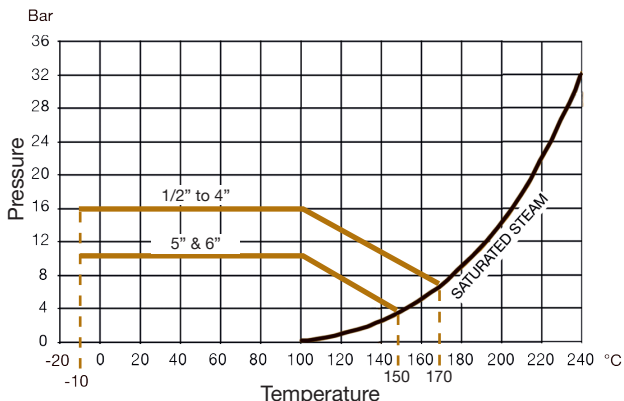


Technical data

Max pressure: (1/2" - 4") 16 Bar
 (5" - 6") 10 Bar
 Working temp: (1/2" - 4") -10°C to +170°C
 (5" - 6") -10°C to +150°C

DN	1/2"	3/4"	1"	1 1/4"	1 1/2"	2"	2 1/2"	3"	4"	5"	6"
Ø	15	20	25	32	40	50	70	80	100	125	150
A	55	60	65	75	80	90	110	120	140	175	175
B	84	96.5	104	120.5	135	148.5	185.5	206	264	316.5	361
C	68	84.5	89	97.5	113	124	153.5	158	169.5	192	209.5
D	95	105	119	138.5	147	165	183.5	199	229	259	289
E	8.5	9	9.5	10	10.5	9	12	12	14	16	18
CH1	24	30	32	32	39	47	55	66	84	114	136
CH2	18	18	18	21	23	25	30	30	37	45	50
d	8	8	8	10	10	12	13	14	17	19	21
Fxn	14x4	14x4	14x4	18x4	18x4	18x4	18x4	18x8	18x8	18x8	22x8
G	65	75	85	100	110	125	145	160	180	210	240
Kv	12	39	61	96	171	246	372	660	1212	1500	1818
Kgs	1.15	1.66	2.44	3.18	4.17	5.13	6.54	10.13	15.06	22.54	29.8

N.	Part Name	Materials
1	Body	Bronze CC491K
2	Bonnet	Brass CW617N
3	Stem	Brass CW617N
4	Wedge	1/4" - 4" Brass CW617N
5	Wedge	5" - 6" Bronze CC491K
6	Stem Ring	Brass CW617N
7	Packing	NA 1030 Gr
8	Gland Nut	Brass CW617N
9	Gland Packing	AF 15/MA
10	Gland	Brass CW617N
11	Nut	Steel
12	Handwheel	Aluminium Alloy



V1. Dimensions in mm

This data sheet is designed as a guide and should not be regarded as wholly accurate in every detail. We reserve the right to amend the specification of any product without notice.