

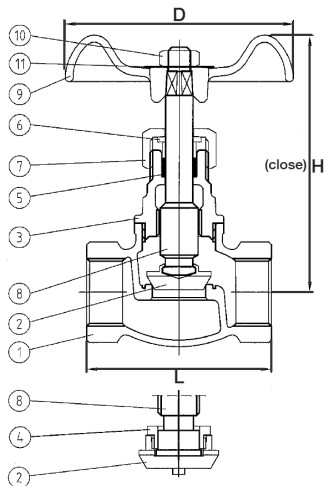
# ART 349

## PN16 Bronze Globe Valve



### Features

- Available in Screwed BSP Taper (ISO 7/1) or NPT (ANSI B1.20.1)
- Screwed bonnet
- Rising stem
- Bronze seat
- MSS-SP-80



For sizes 1 1/4" to 2"

### Technical data

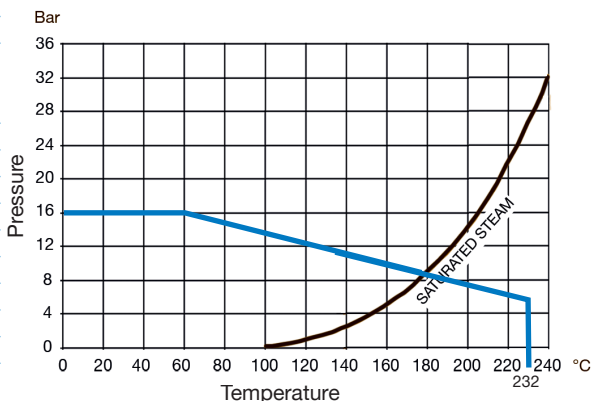
Max pressure: 16 Bar

Working temp: 0°C to +232°C

DN	1/2"	3/4"	1"	1 1/4"	1 1/2"	2"
L	49	56	65	75	84	99
H	70	70	87	94	104	124
D	54	57.5	64	74	74	87
Kv	3.3	6.1	9.5	18.2	25.1	43.3
Kgs	0.26	0.35	0.54	0.78	1.05	1.60

### N. Part Name Materials

1 Body	Cast Bronze ASTM B62 C83600
2 Disc	Brass (1/2" - 1") C27450 Cast Bronze (1.1/4" - 2") ASTM B62 C83600
3 Bonnet	Cast Bronze ASTM B62 C83600
4 Lock Nut	Brass C27450
5 Stem Packing	Teflon PTFE
6 Gland	Brass ASTM B16 C36000
7 Packing Nut	Brass ASTM B16 C36000
8 Stem	Brass C27450
9 Handwheel	Cast Iron ASTM A126 CLASS B
10 Wheel Nut	Steel ASTM A563 Zn Plated
11 Nameplate	Aluminium ASTM B209 1100



V1. Dimensions in mm

This data sheet is designed as a guide and should not be regarded as wholly accurate in every detail. We reserve the right to amend the specification of any product without notice.