

# ART 375HW

## PN20 Bronze Gate Valve



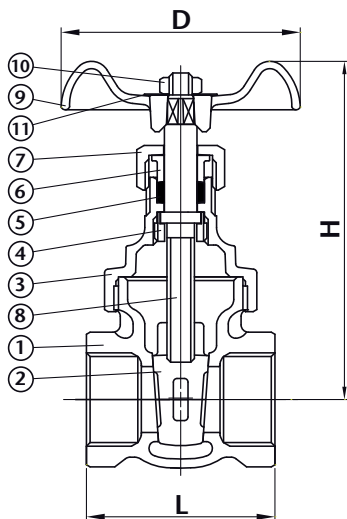
### Features

- Available in Screwed BSP Taper (ISO 7/1) or NPT (ANSI B1.20.1)
- BS 5154 (BS EN12288) / MSS-SP-80

### Technical data

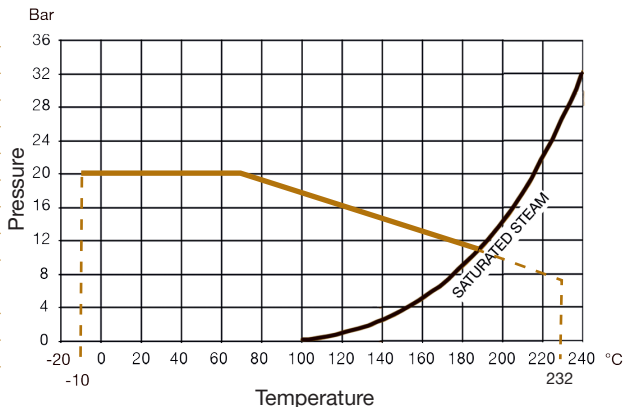
Max pressure: 20 Bar

Working temp: -10°C to +232°C



DN	1/2"	3/4"	1"	1 1/4"	1 1/2"	2"
L	47.5	51.5	58.6	63.0	66.5	73.5
H	78	94	109	120	142	163
D	53.0	63.5	68.5	80.0	90.0	103.0
Kv	18.3	33.2	54.1	108.2	141.5	249.8
Kgs	0.35	0.49	0.69	0.96	1.26	1.95

N.	Part Name	Materials
1	Body	Bronze ASTM B62 C83600
2	Disc	Bronze ASTM B62 C83600
3	Bonnet	Bronze ASTM B62 C83600
4	Lock Nut	Brass ASTM B16 C36000
5	Stem Packing	PTFE
6	Gland	Brass ASTM B16 C36000
7	Packing Nut	Brass ASTM B16 C36000
8	Stem	Brass ASTM B16 C36000
9	Handwheel	Cast Iron ASTM A126 CLASS B
10	Wheel Nut	Steel Zn Plated ASTM A563
11	Nameplate	Aluminium ASTM B29 1100



V1. Dimensions in mm

This data sheet is designed as a guide and should not be regarded as wholly accurate in every detail. We reserve the right to amend the specification of any product without notice.