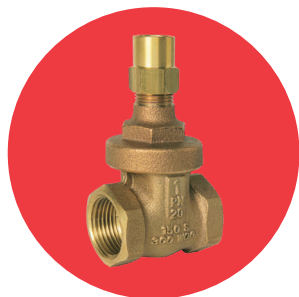


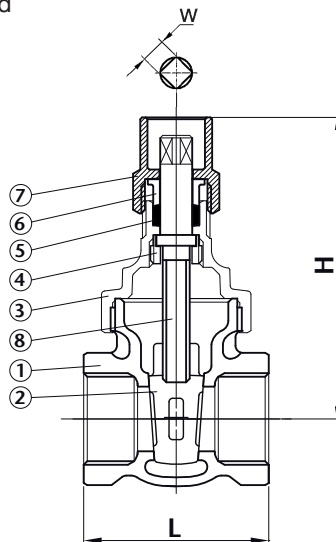
# ART 375LS

## PN20 Bronze Gate Valve



### Features

- Available in Screwed BSP Taper (ISO 7/1) or NPT (ANSI B1.20.1)
- BS 5154 (BS EN12288) / MPP-SP-80
- Lockshield



### Technical data

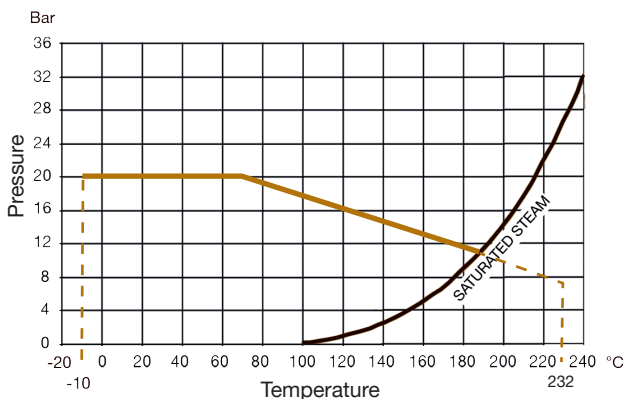
Max pressure: 20 Bar

Working temp: -10°C to +232°C

DN	1/2"	3/4"	1"	1 1/4"	1 1/2"	2"
L	47.5	51.5	58.6	63.0	66.5	73.5
H	70.0	80.5	94.0	110.5	123.5	146.5
W	6.25	6.25	6.25	7.8	7.8	9.5
Kv	18.3	33.2	54.1	108.2	141.5	249.8
Kgs	0.31	0.46	0.56	0.79	1.06	1.62

### N. Part Name Materials

1	Body	Bronze ASTM B62 C83600
2	Disc	Bronze ASTM B62 C83600
3	Bonnet	Bronze ASTM B62 C83600
4	Lock Nut	Brass ASTM B16 C36000
5	Stem Packing	PTFE
6	Gland	Brass ASTM B16 C36000
7	Packing Nut	Brass ASTM B16 C36000
8	Stem	Brass ASTM B16 C36000



V1. Dimensions in mm

This data sheet is designed as a guide and should not be regarded as wholly accurate in every detail. We reserve the right to amend the specification of any product without notice.