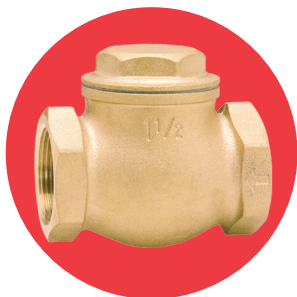


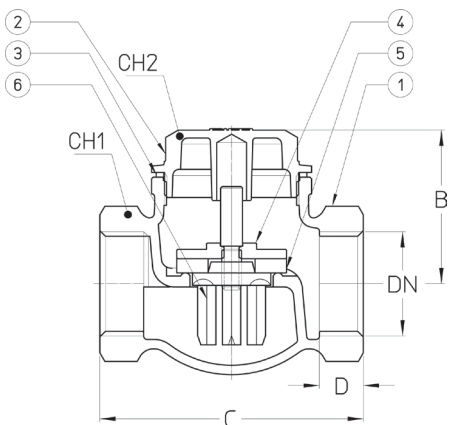
ART 380

Bronze Lift Check Valve



Features

- Screwed BSP Parallel (ISO 228/1)
- BS 5154 (BS EN12288)

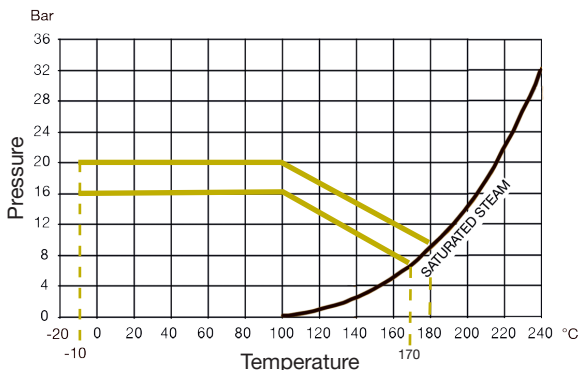


Technical data

Max pressure:	3/8" - 2"	20 Bar
	2 1/2" - 4"	16 Bar
Working temp:	3/8" - 2"	-10°C to +180°C
	2 1/2" - 4"	-10°C to +170°C

DN	3/8"	1/2"	3/4"	1"	1 1/4"	1 1/2"	2"	2 1/2"	3"	4"
B	32.5	35.5	40.0	49.0	55.5	60.5	71.5	73.5	88.0	110.0
C	58	60	70	84	92	107	126	135	148	190
D	11	12	12	14	17	18	19	23	22	23
CH1	25	29	35	44	52	59	72	88	100	129
CH2	22	22	28	37	40	48	55	65	75	85
Kv	1.2	1.7	4.4	8.0	10.0	14.0	23.0	51.0	72.0	108.0
Kgs	0.24	0.28	0.45	0.78	0.99	1.50	2.55	3.46	4.35	8.85

N.	Part Name	Materials
1	Body	Bronze CC491K
2	Bonnet	Brass CW617N
3	Body Packing	NA 1100
4	Disc Holder	Brass CW617N
5	Disc	PTFE
6	Guide	Brass CW617N



V1. Dimensions in mm

This data sheet is designed as a guide and should not be regarded as wholly accurate in every detail. We reserve the right to amend the specification of any product without notice.