

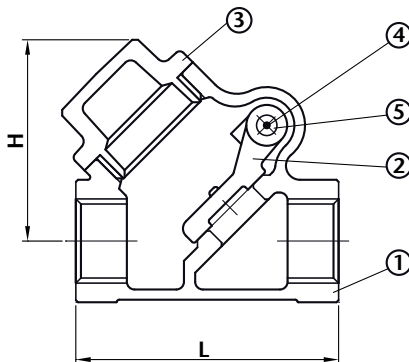
# ART 384

## PN20 Bronze Swing Check Valve



### Features

- Available in Screwed BSP Taper (ISO 7/1) or NPT (ANSI B1.20.1)
- BS 5154 (BS EN12288) / MSS-SP-80



### Technical data

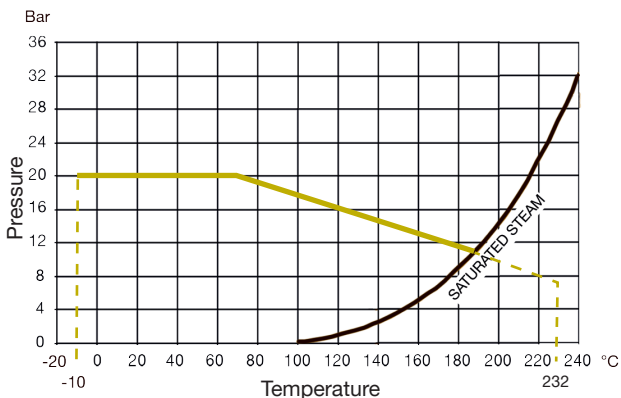
Max pressure: 20 Bar

Working temp: -10°C to +232°C

DN	1/2"	3/4"	1"	1 1/4"	1 1/2"	2"
L	56.0	70.5	80.0	96.5	110.0	129.0
H	42.5	51.0	58.0	68.0	78.0	96.0
Kv	5.0	9.2	15.0	29.1	38.3	66.6
Kgs	0.28	0.43	0.59	0.91	1.31	1.86

### N. Part Name Materials

1	Body	Bronze ASTM B62 C83600
2	Disc	Bronze ASTM B62 C83600
3	Cap	Bronze ASTM B62 C83600
4	Hanger Pin	Brass ASTM B16 C36000
5	Plug	Brass ASTM B16 C36000



V1. Dimensions in mm

This data sheet is designed as a guide and should not be regarded as wholly accurate in every detail. We reserve the right to amend the specification of any product without notice.