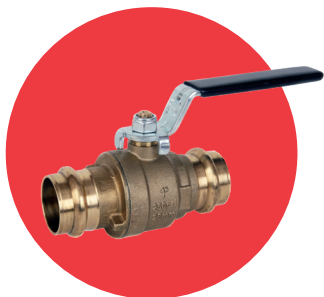


# ART 55 PRS

## DZR Brass Press Ball Valve

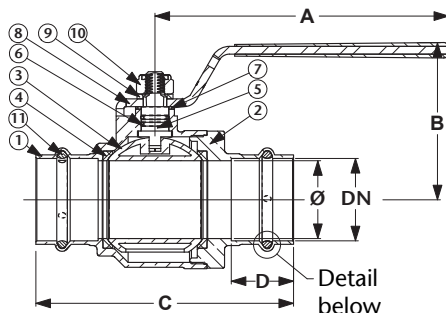


### Features

- Universal M & V Press 15mm to 35mm
- Dedicated M & V Profiles 42mm & 54mm (See diagram)
- Full Bore
- Pre-press leak detection
- Suitable for cold pressure connection to stainless steel, copper and carbon steel pipes

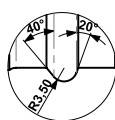
### Technical data

Max pressure:	DN15	24 Bar
	DN22 & DN28	20 Bar
	DN35 - DN54	17 Bar
Working temp:	-20°C to 140°C	

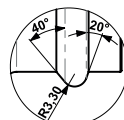


DN	15	22	28	35	42	54
A	90	90	110	110	150	150
B	47	52	57	66	81	88
C (M press)	78	91	99	107	133	155
C (V press)	78	91	99	107	133	163
D (M Press)	22	25	27	27	32	33
D (V Press)	22	25	27	27	32	37
Kv	17	41	68	123	198	290
Kgs	0.19	0.31	0.49	0.72	1.17	1.66(M) 1.75 (V)

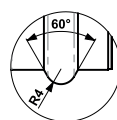
'M' Press (DN42)



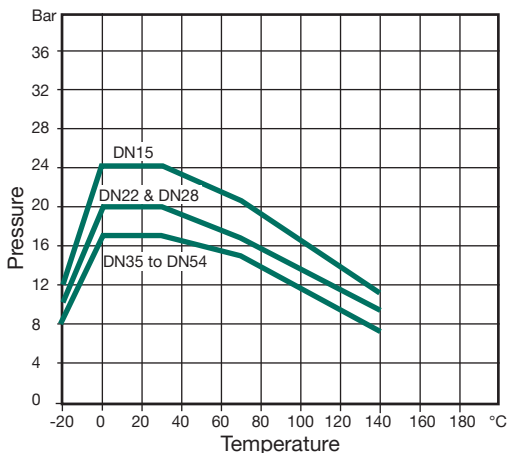
'M' Press (DN54)



'V' Press (DN42+54)



N.	Part Name	Materials
1	Body	DZR Brass
2	Screwed End	DZR Brass
3	Ball	Brass Chrome Plated
4	Ball Gaskets	PTFE
5	Stem	Brass
6	O-Ring	FKM 70 SH
7	Anti-Friction Ring	PTFE
8	Handle	Steel
9	Washer	Brass
10	Self-Locking Nut	Steel
11	O-Ring	EPDM 70 PEROX



V1. Dimensions in mm

This data sheet is designed as a guide and should not be regarded as wholly accurate in every detail. We reserve the right to amend the specification of any product without notice.