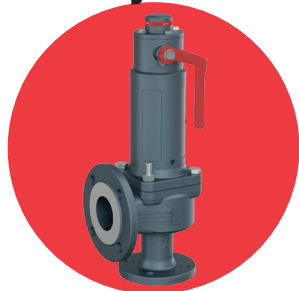


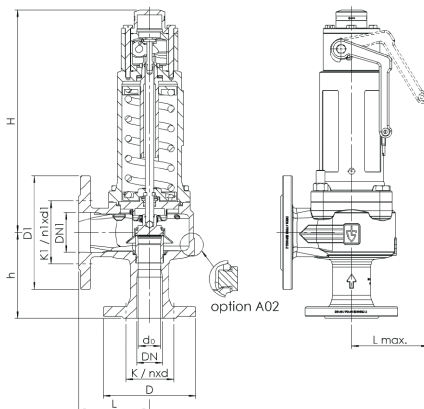
# ART 655

## Cast Iron High Discharge Safety Valve



### Features

- Flanged connection to BS EN1092
- Fitted with bellows to protect moving parts
- Set range 0.5 to 25 Bar
- ISO 4126-1, PED 2014/68/EU
- 5 year warranty
- Test certificate to EN10204-3.1 available on request



### Technical data

Max pressure: 25 Bar

Working temp: EPDM bellow  
-10°C to 120°C

See overleaf for discharge capacities.

DN	15	20	25	32	40	50	65	80	100
DN / PN	15 / 25	20 / 25	25 / 25	32 / 25	40 / 25	50 / 25	65 / 25 (16 <sup>4</sup> )	80 / 25	100 / 25 (16 <sup>4</sup> )
DN1 / PN	25 / 16	32 / 16	40 / 16	50 / 16	65 / 16	80 / 16	100 / 16	125 / 16	150 / 16
L	80	95 (95 <sup>2</sup> )	100	110	115	120	140	160	180
h	90	85 (95 <sup>2</sup> )	105	115	140	150	170	195	220
D	95	105	115	140	150	165	185	200	235
K/nxd	65 / 4x14	75 / 4x14	85 / 4x14	100 / 4x19	110 / 4x19	125 / 4x19	145 / 8x19	160 / 8x19	190 / 8x23
D1	115	140	150	165	185	200	220	250	285
K1 / n1xd1	85 / 4x14	100 / 4x19	110 / 4x19	125 / 4x19	145 / 4x19	160 / 8x19	180 / 8x19	210 / 8x19	240 / 8x23
H	204	204	229	320	363	413	497	556	647
Lmax	75	85	95	120	130	160	205	215	255
G	1/4"	1/4"	1/4"	1/4"	1/2"	1/2"	1/2"	1/2"	1/2"
A <sub>w</sub> /K <sub>dr</sub> (D/G) <sup>1</sup>	0.72	0.74	0.74	0.74	0.74	0.74	0.74	0.74	0.74
do	15.0	18.0	22.5	29.3	36.0	45.0	59.0	72.0	90.0
Kg	6.0	7.0	9.5	19.0	22.0	28.5	47.5	60.5	93.5
Bar	0.5 - 15	0.5-25	0.5-25	0.5-25	0.5-25	0.5-25	0.5-25	0.5-25	0.5-22.5 (25 <sup>3</sup> )

<sup>1</sup> Flow coefficients for blow-off pressures <3.0 bar: Please refer to the Flow Coefficients Chart. <sup>2</sup> Option S66.

<sup>3</sup> On request. <sup>4</sup> Inlet flange connection supplied PN25 as standard. PN16 flange connection available on request.

Part Name	Materials
Body	Spheroidal graphite cast iron
Valve Seat	Stainless Steel
Internal Parts	Steel
Spring	Steel
Bellows	Elastomere EPDM

### Typical Applications

- Heating systems for building technology and industrial applications
- Co-generation plants (CHP)
- Biogas plants
- District heating transfer solutions, building sub-stations

V1. Dimensions in mm

This data sheet is designed as a guide and should not be regarded as wholly accurate in every detail. We reserve the right to amend the specification of any product without notice.

# ART 655

Kg/h - Steam  
Kw - Heating Water



## Discharge Capacities

DN Set Pressure bar	15		20		25		32		40	
	d0=15mm		d0=18mm		d0=22.5mm		d0=29.3mm		d0=36mm	
	Bar	kW	kg/h	kW	kg/h	kW	kg/h	kW	kg/h	kW
0.5	60	92	80	142	130	221	220	375	340	566
1	80	133	120	199	190	311	320	527	480	796
1.5	110	178	160	261	250	407	420	690	640	1042
2	130	219	190	318	300	497	510	843	770	1272
2.5	150	255	220	375	350	586	590	994	890	1501
3	180	291	250	431	390	673	670	1141	1010	1723
3.5	200	327	280	484	440	757	750	1283	1130	1937
4	220	363	310	537	480	840	820	1424	1240	2150
4.5	240	399	340	590	530	923	900	1565	1360	2362
5	250	435	370	644	570	1006	970	1705	1470	2574
5.5	270	471	390	696	620	1088	1050	1845	1580	2786
6	290	506	420	749	660	1171	1120	1985	1690	2997
6.5	310	542	450	802	700	1253	1190	2125	1800	3207
7	330	577	480	855	750	1335	1270	2264	1910	3418
7.5	350	613	500	907	790	1417	1340	2403	2020	3628
8	370	648	530	960	830	1499	1410	2543	2120	3839
8.5	390	684	560	1012	870	1582	1480	2682	2230	4049
9	410	719	580	1065	910	1664	1550	2821	2340	4259
9.5	420	755	610	1117	950	1746	1620	2960	2440	4469
10	440	790	640	1170	1000	1828	1690	3099	2550	4678
11	480	861	690	1274	1080	1991	1830	3376	2760	5096
12	510	931	740	1379	1160	2154	1960	3653	2960	5514
13	550	1002	790	1483	1240	2317	2100	3930	3170	5932
14	580	1073	840	1588	1310	2481	2230	4208	3370	6352
15	620	1143	890	1692	1390	2644	2360	4484	3560	6768
16	650	1214	940	1797	1470	2807	2490	4760	3760	7186
17	690	1284	990	1901	1540	2970	2620	5037	3950	7604
18	720	1355	1040	2005	1620	3133	2750	5312	4150	8020
19	750	1425	1080	2110	1690	3296	2870	5590	4340	8438
20	790	1496	1130	2214	1770	3460	3000	5867	4520	8857
21	820	1567	1180	2319	1840	3623	3120	6144	4710	9275
22	850	1637	1230	2423	1910	3786	3250	6421	4900	9693
23	880	1708	1270	2528	1990	3949	3370	6697	5090	10111
24	920	1778	1320	2632	2060	4112	3490	6974	5270	10528
25	950	1849	1360	2736	2130	4276	3610	7251	5450	10946

# ART 655

Kg/h - Steam  
Kw - Heating Water



## Discharge Capacities

DN	50		65		80		100	
	Set Pressure bar							
	Bar	d0=45mm kW	kg/h	d0=59mm kW	kg/h	d0=72mm kW	kg/h	d0=90mm kW
0.5	530	885	910	1522	1360	2266	2120	3540
1	750	1244	1290	2139	1930	3185	3010	4977
1.5	990	1628	1710	2799	2540	4168	3970	6513
2	1200	1988	2070	3417	3080	5089	4810	7952
2.5	1390	2345	2390	4031	3560	6003	5570	9380
3	1580	2692	2710	4628	4030	6893	6300	10770
3.5	1760	3026	3020	5202	4500	7747	7030	12105
4	1940	3359	3330	5774	4960	8599	7750	13436
4.5	2120	3690	3640	6344	5420	9448	8470	14762
5	2290	4022	3940	6914	5870	10296	9180	16088
5.5	2470	4352	4240	7482	6320	11142	9870	17410
6	2640	4683	4540	8049	6760	11987	10560	18730
6.5	2810	5012	4840	8615	7200	12830	11250	20047
7	2980	5341	5130	9181	7640	13672	11940	21363
7.5	3150	5669	5420	9746	8070	14513	12610	22677
8	3320	5998	5710	10310	8500	15354	13280	23991
8.5	3490	6327	6000	10875	8930	16196	13950	25306
9	3650	6655	6280	11440	9360	17037	14620	26620
9.5	3820	6983	6560	12004	9780	17876	15280	27932
10	3980	7310	6840	12566	10190	18714	15930	29240
11	4310	7962	7400	13688	11030	20384	17230	31850
12	4630	8616	7960	14812	11850	22058	18520	34465
13	4950	9269	8500	15934	12660	23730	19780	37078
14	5260	9925	9040	17061	13460	25407	21030	39699
15	5560	10576	9570	18180	14240	27074	22260	42303
16	5870	11228	10100	19302	15040	28744	23490	44913
17	6180	11881	10620	20424	15820	30416	24720	47525
18	6480	12531	11140	21540	16580	32079	25910	50123
19	6780	13185	11650	22664	17350	33753	27100	52738
20	7070	13839	12150	23789	18100	35428	28280	55356
21	7370	14493	12660	24913	18860	37101	29460	57971
22	7660	15146	13170	26036	19610	38773	30640	60583
23	7950	15798	13660	27157	20350	40443	31800	63192
24	8230	16449	14160	28277	21080	42111	32940	65798
25	8520	17102	14640	29399	21810	43782	34070	68410

In order to achieve the highest possible heating output, up to three valves per system can be installed.

To protect indirectly heated heat generators in accordance with DIN 4751 Part 2 the safety valves have to be rated for the flow of the expansion water.