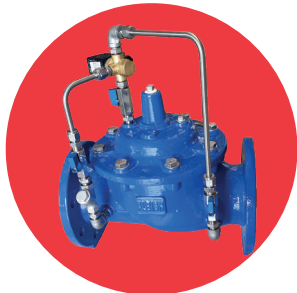


ART 6600 PN16

PN16 Solenoid On/Off Control Valve



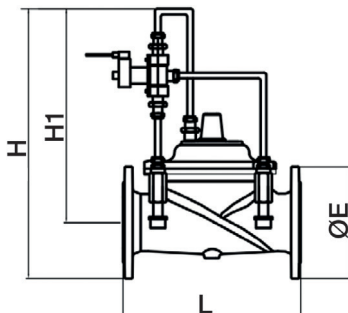
Features

- Automatic Control Valve
- Suitable for potable water applications
- WRAS Approved epoxy coated body
- Conforms to BS EN558-1 Series 1
- Flange conforms to BS EN1092 PN16
- Available flanged PN25
- Stainless Steel pilot tubing and valves, brass pilot solenoid valve
- Normally open and normally closed options

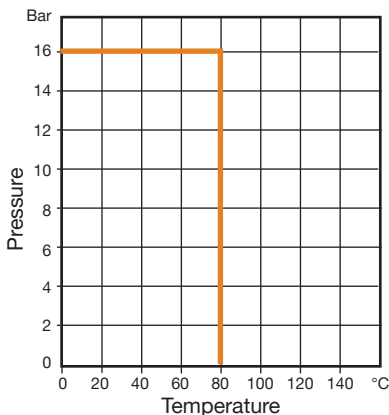
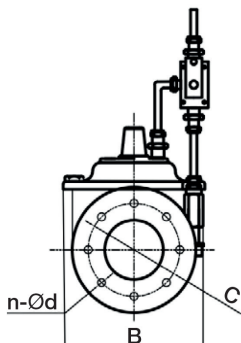
Technical data

Max pressure: 16 Bar

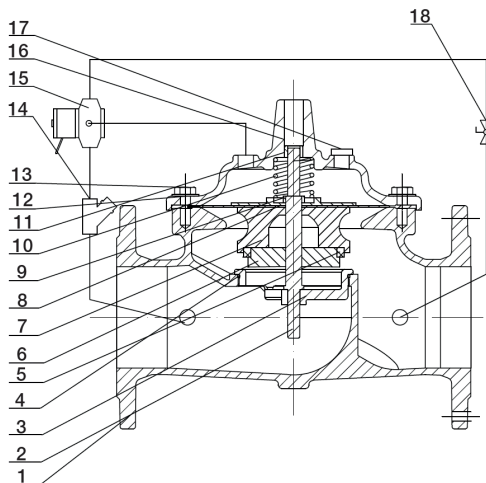
Working temp: 0°C to +80°C



DN	50	65	80	100	125	150	200	250	300
L	230	290	310	350	400	480	600	730	850
E	165	185	200	220	250	285	340	405	460
C	125	145	160	180	210	240	295	355	410
n-Ød	4-19	4-19	8-19	8-19	8-19	8-23	12-23	12-28	12-28
B	265	300	310	320	350	385	440	505	560
H	365	385	400	420	450	485	540	605	660
H1	282	293	300	310	325	342	370	402	430
Kgs	12.0	16.0	22.0	29.0	64.0	68.0	131.0	314.0	418.0



ART 6600 PN16

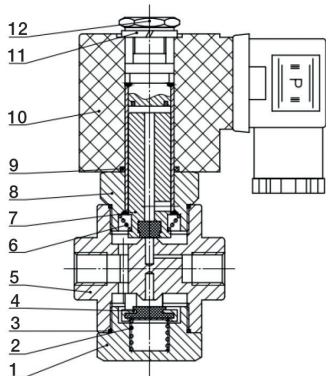


N.	Part Name	Materials
1	Body	Ductile Iron
2	Stem	Stainless Steel 304
3	Seat	Stainless Steel 304
4	O-Ring	NBR
5	Disc Ring	NBR
6	Disc Retainer	Ductile Iron
7	Disc Guide	Ductile Iron
8	Diaphragm	EPDM
9	Diaphragm Washer	Ductile Iron
10	Spring	Stainless Steel 304
11	Cover Bearing	Stainless Steel 304
12	Screw	Stainless Steel 304
13	Washer	Stainless Steel 304
14	Strainer	Stainless Steel 304
15	Solenoid Valve	Brass
16	Cover	Stainless Steel 304
17	Plug	Stainless Steel 304
18	Ball Valve	Stainless Steel 304

ART 6600 PN16



Pilot Valve Detail - ART 6650 NC / ART 6675 NO



N.	Part Name	Materials
1	Nut	HPb59-1
2	Spring	Stainless Steel 304
3	O-Ring	NBR
4	Part Sub-assembling	ABS
5	Body	HPb59-1
6	Spring	Stainless Steel 304
7	Part Sub-assembling	ABS + NBR
8	Part Sub-assembling	ABS + NBR
9	O-Ring	NBR
10	Coil	Copper + PVF
11	Gasket	65Mn
12	Nut	A3

Flow curve of the main valve at fully open status

