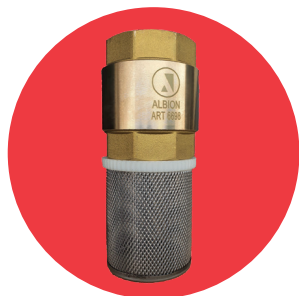
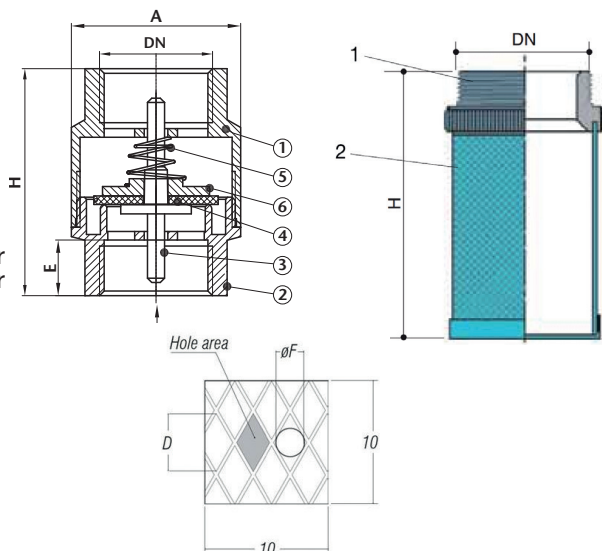


ART 6698 Foot Valve



Features

- PN20 Brass Spring Check Valve with Stainless Steel Mesh Filter
- Screwed BSP Parallel (ISO 228/1)
- Check Valve has Brass Body and Brass Disc



Technical data

Max pressure: $\frac{1}{2}$ " - 1" 16 Bar
 $1\frac{1}{4}$ " - 2" 10 Bar
 $2\frac{1}{2}$ " - 4" 8 Bar

Working temp: 0°C to +90°C

Check Valve	DN	1/2"	3/4"	1"	1 1/4"	1 1/2"	2"	2 1/2"	3"	4"
A		33	39	45	55	60	79	95	110	143
H		47	49	58	65	70	83	100	107	111
E		12	14	14.5	14.5	16	18.5	22	24	24
Kgs		0.13	0.18	0.26	0.40	0.59	0.84	1.50	1.92	3.05

Mesh Filter	DN	1/2"	3/4"	1"	1 1/4"	1 1/2"	2"	2 1/2"	3"	4"
H		57	56	59	67	68	89	97	107	119
nr.holes/cm ²		24	24	24	24	24	24	24	24	24
Hole area		1.1 ²	1.1 ²	1.1 ²	1.1 ²	1.1 ²	1.1 ²	1.1 ²	1.1 ²	1.1 ²
D		2.6	2.6	2.6	2.6	2.6	2.6	2.6	2.6	2.6
ØF		0.85	0.85	0.85	0.85	0.85	0.85	0.85	0.85	0.85
Kgs		0.03	0.04	0.07	0.09	0.10	0.20	0.23	0.32	0.49

Check Valve

N.	Part Name	Materials
1	Body	Brass CW617N
2	Bonnet	Brass CW617N
3	Disc Holder	Brass CW617N
4	Disc	Brass / NBR
5	Spring	Stainless Steel 304
6	Spring Holder	Brass CW617N

Mesh Filter

N.	Part Name	Materials
1	Mesh Filter	Stainless Steel AISI 304
2	Connection	Nylon

V1. Dimensions in mm

This data sheet is designed as a guide and should not be regarded as wholly accurate in every detail. We reserve the right to amend the specification of any product without notice.