

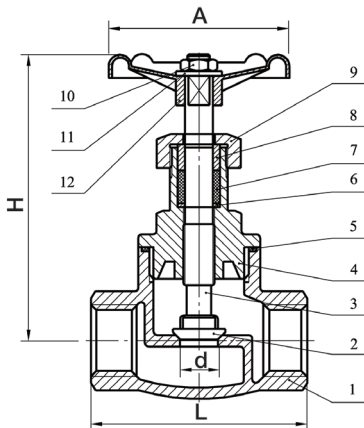
# ART 961

## PN16 Stainless Steel Globe Valve



### Features

- BSP Parallel (ISO 7/1)
- PN16 rated



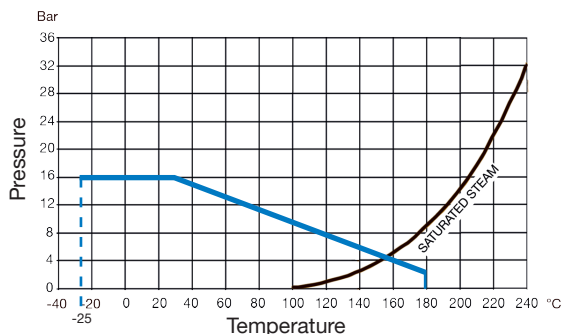
### Technical data

Max pressure: 16 Bar

Working temp: -25°C to +180°C

DN	1/4"	3/8"	1/2"	3/4"	1"	1 1/4"	1 1/2"	2"
d	10	12	15	20	25	32	40	50
L	55	55	67	75	85	101	115	136
H	79	79	79	91	106	125	136	146
A	65	65	65	77	77	97	97	97
Kv	3.7	4.8	6.7	8.6	17.0	25.0	36.0	54.0
Kgs	0.36	0.35	0.37	0.49	0.66	1.16	1.44	2.16

N.	Part Name	Materials
1	Body	CF8M
2	Petal	Stainless Steel 316
3	Stem	Stainless Steel 316
4	Cap	CF8M
5	Gasket	PTFE
6	Washer	Stainless Steel 304
7	Stem Packing	PTFE
8	Ring	Stainless Steel 304
9	Gland Ring	Stainless Steel 304
10	Wheel Nut	Stainless Steel 304
11	Plate	Stainless Steel 304
12	Handwheel	Aluminium Alloy



V1. Dimensions in mm

This data sheet is designed as a guide and should not be regarded as wholly accurate in every detail. We reserve the right to amend the specification of any product without notice.