

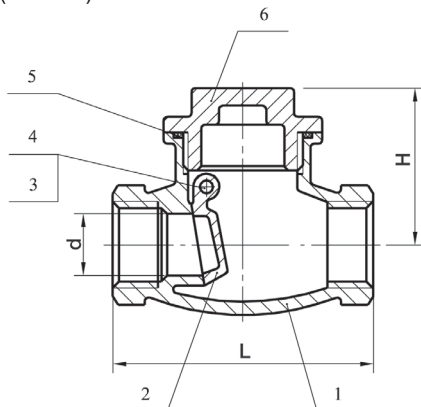
ART 965

PN16 Stainless Steel Swing Check Valve



Features

- BSP Parallel (ISO 7/1)

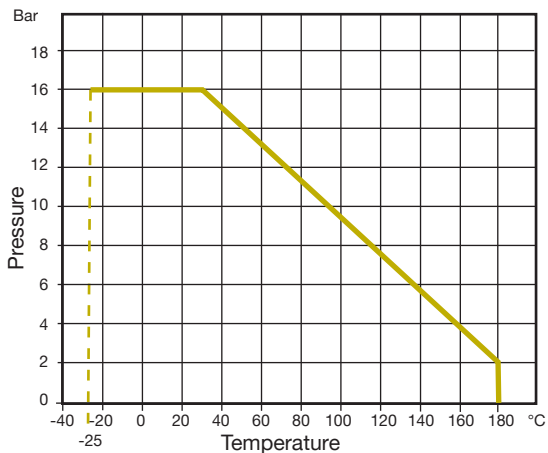


Technical data

Max pressure: 16 Bar
Working temp: -25°C to +180°C

DN	1/4"	3/8"	1/2"	3/4"	1"	1 1/4"	1 1/2"	2"
d	10	12	15	20	25	32	40	50
L	63	63	63	78	87	100	115	135
H	42	42	42	46	50	54	64	71
Kv	2.6	3.1	4.4	6.8	10.0	17.0	26.0	43.0
Kgs	0.27	0.26	0.23	0.35	0.54	0.81	1.01	1.62

N.	Part Name	Materials
1	Body	CF8M
2	Disc	CF8M
3	Pipe Plug	Stainless Steel 316
4	Plug Gasket	PTFE
5	Body Gasket	PTFE
6	Cap	CF8M



V1. Dimensions in mm

This data sheet is designed as a guide and should not be regarded as wholly accurate in every detail. We reserve the right to amend the specification of any product without notice.