

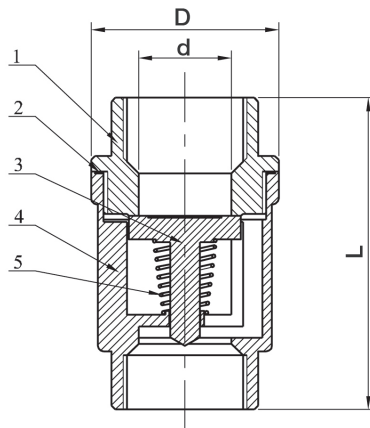
ART 966

PN82 Stainless Steel Spring Check Valve



Features

- BSP Parallel (ISO 7/1)



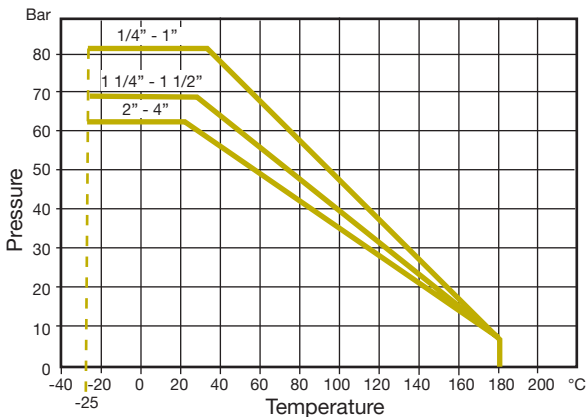
Technical data

Max pressure: 1/4" - 1" 82 Bar
 1 1/4" - 1 1/2" 69 Bar
 2" - 4" 62 Bar

Working temp: -25°C to +180°C

DN	1/4"	3/8"	1/2"	3/4"	1"	1 1/4"	1 1/2"	2"	2 1/2"	3"	4"
d	8	10	15	20	25	30	38	47	61	75	94
D	30.5	30.5	37.0	42.0	48.0	58.0	70.0	82.0	102.5	120.0	150.0
L	53	53	56	63	74	81	91	97	118	138	158
Kv	2.1	2.8	4.0	7.0	10.0	17.0	26.0	43.0	75.0	112.0	172.0
Kgs	0.17	0.15	0.21	0.29	0.40	0.65	0.98	1.40	2.44	3.80	6.60

N.	Part Name	Materials
1	Cap	CF8M
2	Body Gasket	PTFE
3	Disc	CF8M
4	Body	CF8M
5	Spring	Stainless Steel 316



V1. Dimensions in mm

This data sheet is designed as a guide and should not be regarded as wholly accurate in every detail. We reserve the right to amend the specification of any product without notice.