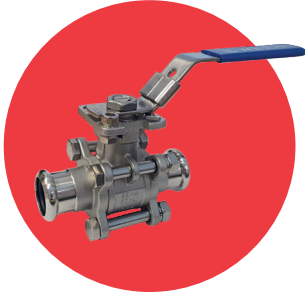


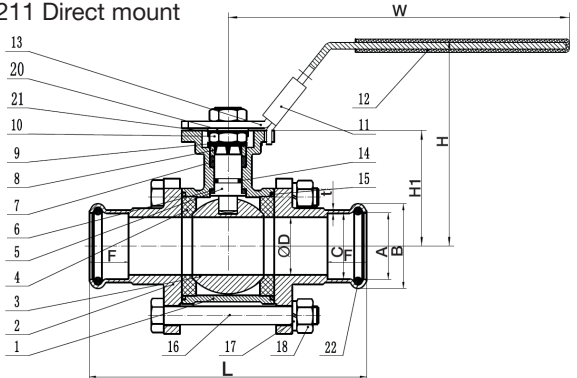
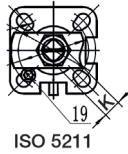
ART 994 PRS

Stainless Steel 3 Piece Press Ball Valve ISO5211



Features

- Dedicated M Profile
- Full Bore
- Locking device
- ISO5211 Direct mount



Technical data

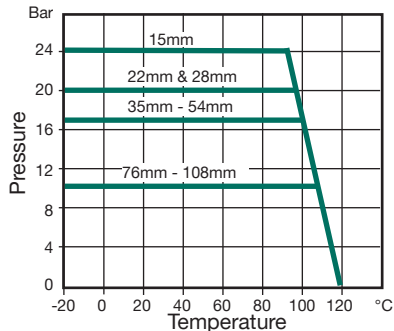
| | | |
|---------------|--------------|--------|
| Max pressure: | 15mm | 24 Bar |
| | 22mm & 28mm | 20 Bar |
| | 35mm - 54mm | 17 Bar |
| | 76mm - 108mm | 10 Bar |

Working temp: -20°C to +120°C

| DN | 15 | 22 | 28 | 35 | 42 | 54 | 76 | 88 | 108 |
|---------|---------|---------|---------|---------|---------|---------|----------|----------|----------|
| L | 87 | 100.6 | 130 | 143.2 | 158 | 186 | 251.4 | 274.7 | 329.2 |
| W | 141 | 141 | 162 | 162 | 188 | 188 | 233 | 233 | 330 |
| H | 75 | 81 | 93 | 98 | 109 | 124 | 151 | 160 | 172 |
| A | 15.7 | 22.9 | 28.8 | 35.8 | 42.7 | 54.7 | 79 | 92 | 112 |
| B | 22.7 | 30.8 | 36.7 | 43.7 | 52.7 | 64.7 | 94.5 | 108 | 131.2 |
| C | 15.3 | 22.3 | 28.4 | 35.4 | 42.4 | 54.5 | 77.1 | 89.9 | 109.2 |
| D | 12.5 | 20 | 25 | 32 | 38 | 50 | 64.5 | 76 | 94 |
| F | 20 | 21 | 23 | 27.5 | 31.6 | 36.6 | 61.6 | 66.6 | 81.7 |
| t | 1.5 | 1.5 | 1.5 | 1.5 | 1.5 | 1.5 | 2 | 2 | 2 |
| ISO5211 | F03/F04 | F03/F04 | F04/F05 | F04/F05 | F05/F07 | F05/F07 | F07/F010 | F07/F010 | F07/F010 |
| H1 | 42 | 48 | 55 | 60 | 70 | 85 | 105 | 114 | 128 |
| K | 9 | 9 | 11 | 11 | 14 | 14 | 17 | 17 | 17 |
| Torque | 5 | 7 | 10 | 12 | 20 | 32 | 60 | 90 | 100 |
| Kv | 19 | 48 | 79 | 129 | 183 | 316 | 372 | 517 | 846 |
| Kgs | 0.47 | 0.68 | 1.08 | 1.72 | 2.43 | 3.92 | 7.85 | 11.68 | 22.41 |

| N. | Part Name | Materials |
|----|-------------------|---------------------|
| 1 | Body | CF8M |
| 2 | Cap | CF8M |
| 3 | Ball | Stainless Steel 316 |
| 4 | Seat | RPTFE (15%) |
| 5 | Stem | Stainless Steel 316 |
| 6 | Thrust Washer | PTFE |
| 7 | Stem Packing | PTFE |
| 8 | Bushing | Stainless Steel 304 |
| 9 | Belleville Washer | Stainless Steel 304 |
| 10 | Stem Nut | Stainless Steel 304 |
| 11 | Lock Device | Stainless Steel 304 |
| 12 | Handle Cover | Plastic |
| 13 | Handle | Stainless Steel 304 |
| 14 | O-Ring | NBR |
| 15 | Seal | PTFE |
| 16 | Bolt | Stainless Steel 304 |
| 17 | Spring Washer | Stainless Steel 304 |
| 18 | Bolt Nut | Stainless Steel 304 |
| 19 | Stop Pin | Stainless Steel 304 |

| | | |
|----|------------|---------------------|
| 20 | Washer | Stainless Steel 304 |
| 21 | Lug Washer | Stainless Steel 304 |
| 22 | O-Ring | EPDM |



V1. Dimensions in mm

This data sheet is designed as a guide and should not be regarded as wholly accurate in every detail. We reserve the right to amend the specification of any product without notice.