

DEUSF

Dielectric Union



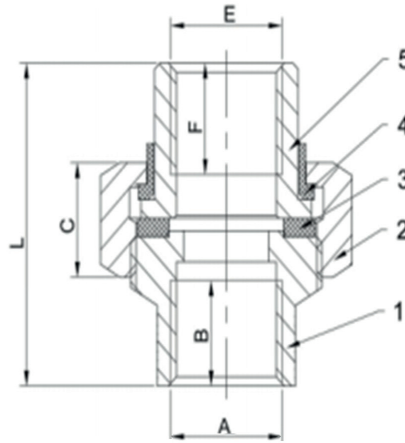
Features

- Female iron pipe thread to brass solder end
- Available with BSP Parallel threads (ISO 228/1) or NPT threads (ANSI B1.20.1)
- Complies with ASSE 1079

Technical data

Max. pressure: 17.2 Bar (250psi)

Max. temp: 82°C (180°F)



DN	1/2"	3/4"	1"	1 1/4"	1 1/2"	2"
A	G1/2"	G3/4"	G1"	G1.1/4"	G1.1/2"	G2"
B	16	17	18	21	20	22
C	19	20	22	23	25	28
E	G1/2"	G3/4"	G1"	G1.1/4"	G1.1/2"	G2"
F	15.0	16.0	18.0	23.0	20.0	20.5
L	46	52	58	65	71	75
Kgs	0.23	0.31	0.49	0.68	1.38	1.76

N. Part Name	Materials
1 IPS Connection	Steel / Zinc Plated
2 Nut	Steel / Zinc Plated
3 Gasket	EPDM
4 Insert	Plastic
5 Solder Connection	Brass