

Monolink 20

H Block complete with ART 20 PICV

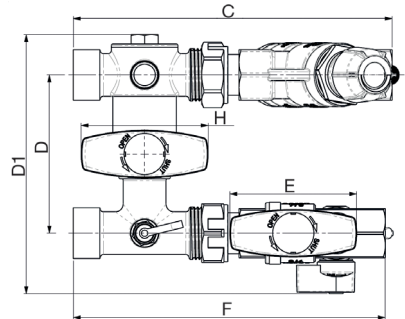
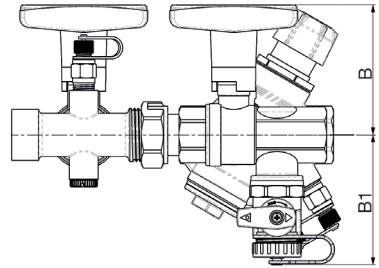


Features

- Available in BSP
- Material DZR Brass EN12165 - CW602N-M
- Tested in accordance with EN 12266-1:2012
- Flow modulation along whole control actuator stroke (ART C21V, C22V, C23E)
- 5 year guarantee

Technical data

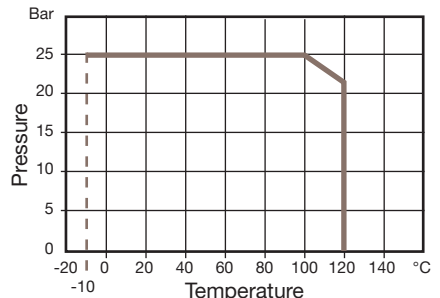
Max pressure: 25 Bar
Working temp: -10°C to +120°C



| Monolink Size | 1/2" | 3/4" | 1" | 1 1/4" | 1 1/2" |
|----------------|------|------|------|--------|--------|
| PICV Size (20) | DN15 | DN20 | DN25 | DN32 | DN40 |
| B | 79 | 81 | 85 | 95 | 119 |
| B1 | 79 | 81 | 91 | 120 | 129 |
| C | 189 | 201 | 231 | 270 | 294 |
| D | 100 | 100 | 150 | 175 | 175 |
| D1 | 161 | 164 | 216 | 242 | 249 |
| E | 80 | 80 | 80 | 95 | 110 |
| F | 167 | 197 | 240 | 357 | 388 |
| H | 80 | 80 | 80 | 80 | 80 |

Part Name

| | |
|--------------------|-------------------------------------|
| ART 20 | PICV |
| ART 731 | H Block |
| ART 630 | Ball valve, strainer and drain cock |
| ART C21V/C22V/C23E | Control Actuator |



V1. Dimensions in mm

This data sheet is designed as a guide and should not be regarded as wholly accurate in every detail. We reserve the right to amend the specification of any product without notice.