

Monolink 22

H Block complete with ART 22

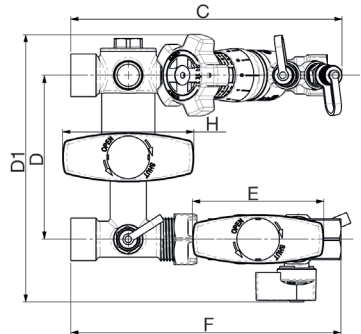
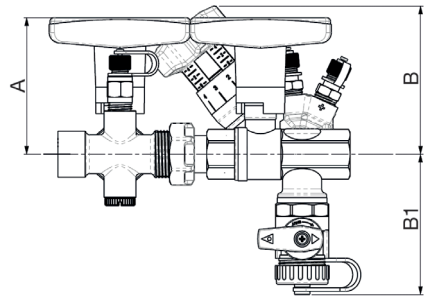


Features

- Available in BSP
- Material DZR Brass EN12165 - CW602N-M
- Tested in accordance with EN 12266-1:2012
- 5 year guarantee

Technical data

Max pressure: 25 Bar
Working temp: -10°C to +120°C



Monolink Size	1/2"	1/2"	1/2"	3/4"	1"
Valve Size	DN15 L	DN15 ML	DN15	DN20	DN25
A	77	77	77	81	85
B	83	83	83	82	84
B1	79	79	79	83	93
C	165	165	165	197	229
D	100	100	100	100	150
D1	163	163	163	164	217
E	80	80	80	80	80
F	165	165	165	199	240
H	80	80	80	80	80

Part Name

ART 22	FODRV
ART 731	H Block
ART 630	Ball valve, strainer and drain cock

