

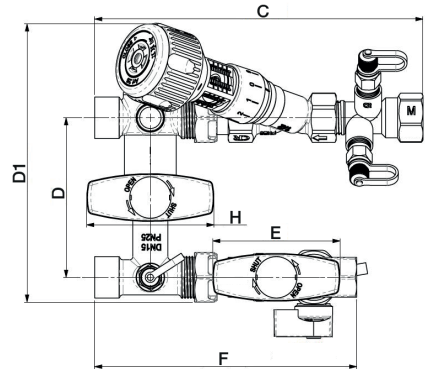
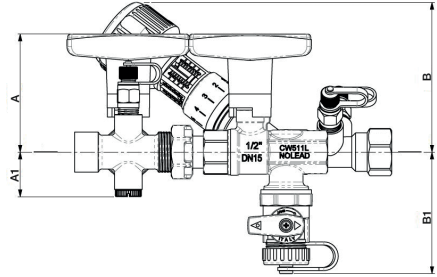
Monolink 26/27

H Block complete with ART 26/27



Features

- Available in BSP Parallel
- Material DZR Brass EN12165 - CW602N-M
- Tested in accordance with EN 12266-1:2012
- 5 year guarantee



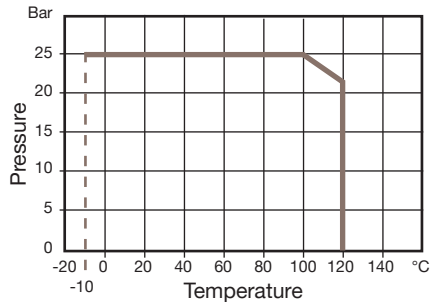
Technical data

Max pressure: 25 Bar
Working temp: -10°C to +120°C

Monolink Size	1/2"	1/2"	1/2"	1/2"
DN	DN15M	DN15L	DN15UL	DN15UUL
A	76.8	76.8	76.8	76.8
A1	29	29	29	29
B	97.4	97.4	97.4	97.4
B1	79	79	79	79
C	206.4	206.4	206.4	206.4
D	100	100	100	100
D1	174.3	174.3	174.3	174.3
E	80	80	80	80
F	164.7	164.7	164.7	164.7
H	80	80	80	80

Part Name

ART 731	H Block
ART 630	Ball valve, strainer and drain cock
ART 26	Balancing valve
ART 27	Orifice Plate



V1. Dimensions in mm

This data sheet is designed as a guide and should not be regarded as wholly accurate in every detail. We reserve the right to amend the specification of any product without notice.