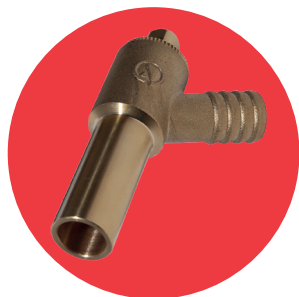


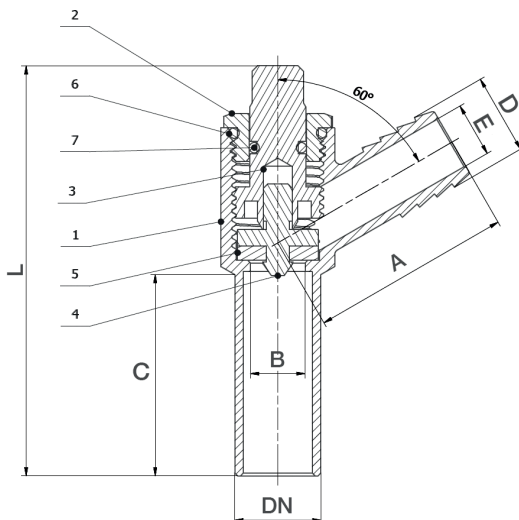
ART 15

Brass Drain Cock



Features

- Extended male spigot
- BS 2879/2 Type A
- Hose connection outlet



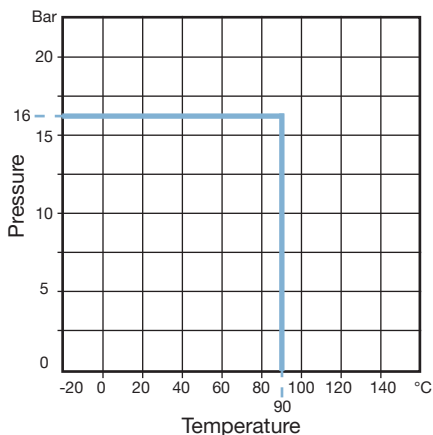
Technical data

Max pressure: 16 Bar

Working temp: -20°C to +90°C

DN	15
A	35
B	Ø9.5
C	35
D	Ø14
E	Ø9.5
Kgs	0.09

N.	Part Name	Materials
1	Body	Brass HPb59-1
2	Bonnet	Brass HPb59-1
3	Stem	Brass HPb59-1
4	Baffle	Brass HPb59-1
5	Washer	EPDM
6	O-Ring	EPDM
7	O-Ring	EPDM



V1. Dimensions in mm

This data sheet is designed as a guide and should not be regarded as wholly accurate in every detail. We reserve the right to amend the specification of any product without notice.