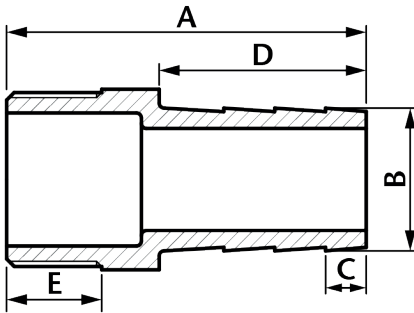


# HA Hose Adaptor

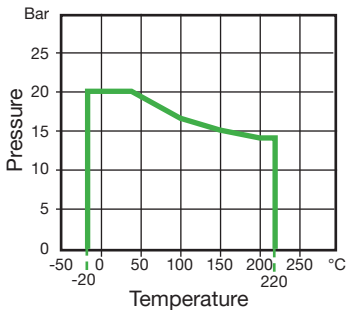


## Features

- Made from CF8M (316) Stainless Steel material and conform to ISO 4144 standard.
- Threads are to BSP Taper (ISO 7/1) or NPT (ANSI B1.20.1).
- Material certificates available on request.
- Tested & inspected prior to despatch.
- 12 month warranty from date of installation.
- Manufactured in accordance with ISO9001:2015 quality system.



| DN     | A     | B     | C    | D     | E    | Kgs   |
|--------|-------|-------|------|-------|------|-------|
| 1/4"   | 42.0  | 9.0   | 7.0  | 23.0  | 12.8 | 0.021 |
| 3/8"   | 47.8  | 10.0  | 7.5  | 25.0  | 15.0 | 0.035 |
| 1/2"   | 60.5  | 15.0  | 8.0  | 35.0  | 17.0 | 0.06  |
| 3/4"   | 70.0  | 20.5  | 10.0 | 42.5  | 18.0 | 0.104 |
| 1"     | 82.0  | 27.0  | 12.0 | 52.0  | 19.0 | 0.175 |
| 1 1/4" | 82.9  | 34.0  | 12.0 | 51.0  | 20.5 | 0.231 |
| 1 1/2" | 90.4  | 40.5  | 13.0 | 57.0  | 21.5 | 0.311 |
| 2"     | 108.0 | 52.3  | 15.5 | 69.5  | 25.5 | 0.512 |
| 2 1/2" | 132.0 | 65.5  | 20.0 | 87.0  | 30.0 | 1.202 |
| 3"     | 145.0 | 78.0  | 23.5 | 97.0  | 33.0 | 1.131 |
| 4"     | 154.3 | 103.5 | 24.0 | 104.0 | 36.0 | 1.684 |



| Temperature (°C) | Non-shock maximum working pressure (bar) |
|------------------|--|
| -20 to 40        | 20                                       |
| 100              | 16.5                                     |
| 150              | 15                                       |
| 200              | 14                                       |
| 220              | 13.5                                     |

- NOTE 1 Pressure for intermediate temperatures may be determined by the interpolation method.
- NOTE 2 Temperatures indicated are those of internal fluid.
- NOTE 3 Piping loads, stresses and moments are not taken into account.