

ART 50 97C

PN40 DZR Brass Ball Valve

complete with Thermal Extension



Features

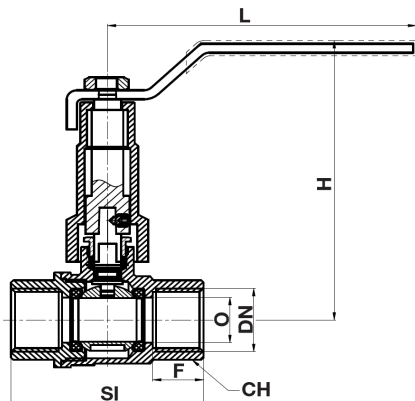
- Screwed BSP Taper ends (ISO 7/1) or NPT (ANSI B1.20.1)
- Anti-blow-out stem
- Full bore



Technical data

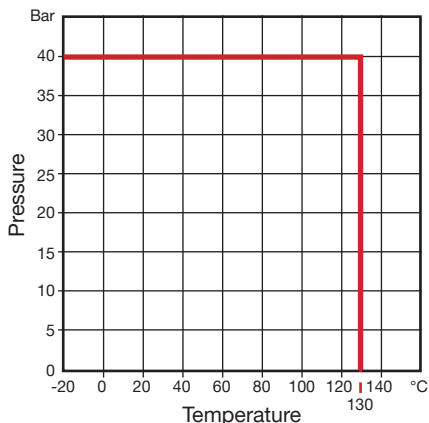
Max pressure: 40 Bar

Working temp: -20°C to 130°C



DN	1/2"	3/4"	1"	1 1/4"	1 1/2"	2"
O	14.5	19.0	24.5	31.5	39.5	49.5
F	15.0	18.0	19.5	20.0	21.0	26.5
SI	57	67	77	88	99	121
H	93	96	112	140	146	157
L	88	100	125	140	140	165
CH	24.9	31.7	37.5	46.4	52.5	60.1
Kv	16	30	48	100	170	230
Kgs	0.31	0.40	0.60	0.97	1.28	1.88

Part Name	Materials
Body	DZR Brass CW602N
Seat	PTFE
Ball	DZR Brass CW602N Chrome Plated
Cap	DZR Brass CW602N
Stem	DZR Brass CW602N
O-Ring	NBR
Stem Packing	PTFE
Lock Nut	Brass CW617N
Handle	Steel A3
Nut	Steel A3



V1. Dimensions in mm

This data sheet is designed as a guide and should not be regarded as wholly accurate in every detail. We reserve the right to amend the specification of any product without notice.