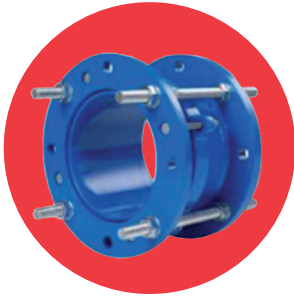


DMJ

Dismantling Joint

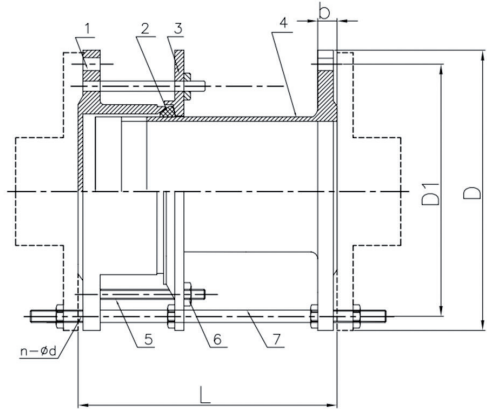


Features

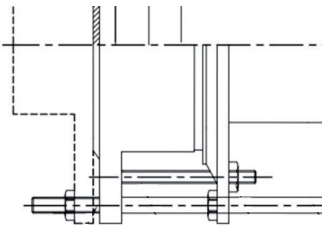
- Connection Standard EN1092-2
- Minimum longitudinal adjustment - +/-25mm
- Suitable media - water
- Fusion Bond Epoxy Coating

Technical data

Max pressure: 10 / 16 Bar
 Working temp: 0°C to +80°C



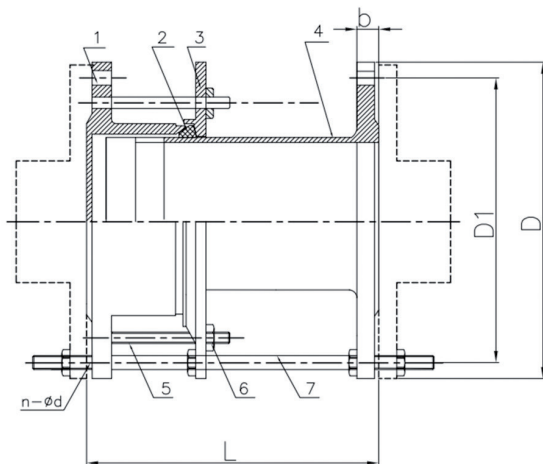
Longitudinal Adjustment Stud Bolt Details



N.	Part Name	Materials
1	Body	Ductile Iron GGG35
2	Sealing Ring	EPDM
3	Retainer	Ductile Iron GGG35
4	Limited Joint	Carbon Steel Q235
5	Stud	Stainless Steel 304
6	Nut	Stainless Steel 304
7	Bolt	Stainless Steel 304

DN	n-∅d (Stud)	C (Stud Length)
50	2-12	330
65	2-12	330
80	4-12	330
100	4-12	330
150	4-12	340
200	4-12	340
250	6-12	340
300	6-12	370
350	8-14	370
400	8-14	380
450	10-14	380
500	10-14	380
600	10-14	420
700	12-16	420
800	12-16	560
900	14-16	560
1000	14-16	560
1200	16-16	600

DMJ Dismantling Joint



Flange Bolt Details

PN10

DN	L	n-∅D	D	D1	n-d	Kgs
50	200	4-16	165	125	4-19	8.8
65	200	4-16	185	145	4-19	10.6
80	200	8-16	200	160	8-19	12.0
100	200	8-16	220	180	8-19	15.5
150	200	8-20	285	240	8-23	24.6
200	200	8-20	340	295	8-23	34.1
250	200	12-20	395	350	12-23	45.5
300	220	12-20	445	400	12-23	56.0
350	220	16-20	505	460	16-23	72.0
400	220	16-24	565	515	16-28	97.0
450	220	20-24	615	565	20-28	108.0
500	220	20-24	670	620	20-28	124.0
600	240	20-27	780	725	20-31	155.0
700	240	24-27	895	840	24-31	228.0
800	350	24-30	1015	950	24-34	303.0
900	350	28-30	1115	1050	28-34	355.0
1000	350	28-33	1230	1160	28-37	405.0
1200	370	32-36	1455	1380	32-40	600.0

PN16

DN	L	n-∅D	D	D1	n-d	Kgs
50	200	4-16	165	125	4-19	9.6
65	200	4-16	185	145	4-19	11.5
80	200	8-16	200	160	8-19	14.0
100	200	8-16	220	180	8-19	17.0
150	200	8-20	285	240	8-23	26.0
200	200	12-20	340	295	12-23	37.0
250	200	12-24	405	355	12-28	48.0
300	220	12-24	460	410	12-28	59.0
350	220	16-24	520	470	16-28	78.0
400	220	16-27	580	525	16-31	104.0
450	220	20-27	640	585	20-31	112.0
500	220	20-30	715	650	20-34	129.0
600	240	20-33	840	770	20-37	164.0
700	240	24-33	910	840	24-37	235.0
800	350	24-36	1025	950	24-40	312.0
900	350	28-36	1125	1050	28-40	362.0
1000	350	28-40	1255	1170	28-43	418.0
1200	370	32-45	1485	1390	32-49	618.0