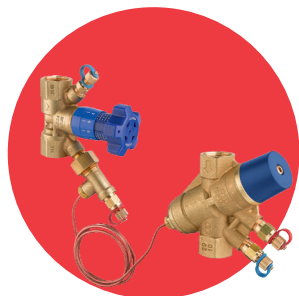


ART 24 & 28DP PN16 DPCV & Partner Valve



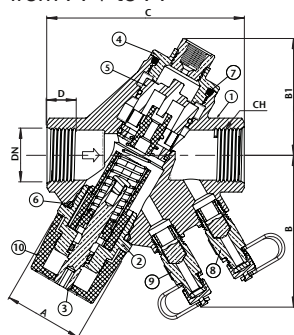
Features

- BSP Parallel (ART 24 ISO 228/1), (ART 28DP ISO 7/1)
- Impulse tube connection point for ART 24 DPCV
- Supplied as shown with fitting and measuring nipples
- Handwheel shut-off function and clear 360° reading
- Allen key locking mechanism enabling valve to be closed and re-opened to its exact pre-set position
- Conforms to BS 7350 / BS 5154
- System ΔP is measured from PF- to P+
System flow may be adjusted on ART 28DP whilst measuring ΔP from PF+ to PF-



Technical data

Max pressure: 16 Bar
Working temp: -10°C to +120°C
Max Differential Pressure: 400kPa

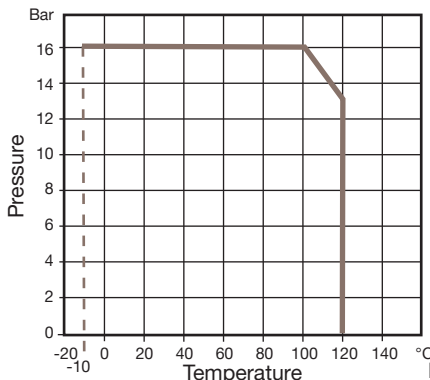


DN	15 Low ΔP	15 High ΔP	20 Low ΔP	20 High ΔP	25 Low ΔP	25 High ΔP	32 High ΔP	40 High ΔP	50 High ΔP
A	40		40	40	50	50	50	65	65
B	70		72	72	91	91	91	98	105
B1	57		57	57	74	74	74	85	90
C	95.5	See ART	96.5	96.5	132	132	132	144.5	155
D	11.5		12.5	12.5	14.5	14.5	16.5	16.5	20
CH	27	24C	32	32	39	39	47	54	68
Flow (l/s)	0.014- 0.167	data- sheet	0.028- 0.278	0.042- 0.556	0.167- 0.694	0.194- 1.167	0.278- 1.389	0.833- 2.222	1.389- 4.167
ΔP vers (kPa)	5-30		5-30	20-60	5-30	20-60	20-80	20-80	20-80
Kvs	3.6		4	4	9.5	9.5	11.4	16.4	17.9
Kgs	0.83		0.88	0.88	1.54	1.54	1.63	2.48	2.97

N. Part Name

Materials

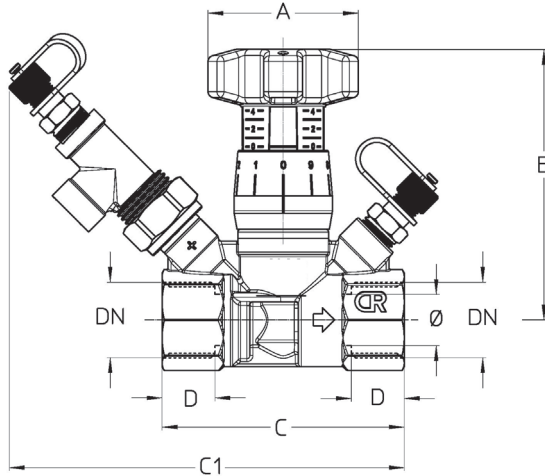
1	Body	DZR Brass CW602N-M
2	Bonnet	DZR Brass CW602N-M
3	Stem	DZR Brass CW602N-M
4	Screwed End	DZR Brass CW602N-M
5	Differential Pressure Cartridge	DZR Brass CW602N-M
6	O-Ring	EPDM
7	O-Ring	EPDM
8	Blue Binder Point	DZR Brass CW602N-M
9	Red Binder Point	DZR Brass CW602N-M
10	Cap	Plastic



V1. Dimensions in mm

This data sheet is designed as a guide and should not be regarded as wholly accurate in every detail. We reserve the right to amend the specification of any product without notice.

ART 24 & 28DP PN16 DPCV & Partner Valve



DN	15	20	25	32	40	50
A	50	50	50	50	50	50
B	87.5	89.5	91.5	99.0	99.0	100.0
C	77	80	87	108	115	124
C1	139	140	142	157	163	166
D	17.0	18.5	21.0	22.5	23.0	26.5
CH	25	31	38	48	55	66
Thread	½" Rp	¾" Rp	1" Rp	1¼" Rp	1½" Rp	2" Rp
Kv	1.75	2.87	4.08	6.71	10.40	15.06
Kgs	0.50	0.56	0.63	1.05	1.24	1.47

Part Name	Materials
Body	DZR Brass CW602N-M
Bonnet	DZR Brass CW602N-M
Stem	DZR Brass CW602N-M
Gasket	EPDM
Shutter	DZR Brass CW602N-M
Handwheel	Nylon 6
Screw	DZR Brass CW602N-M
O-Ring	EPDM
Binder Point	DZR Brass CW602N-M

