

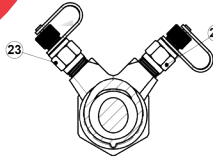
# ART 25 PRS

## DZR Fixed Orifice Double Regulating Valve (FODRV)



### Features

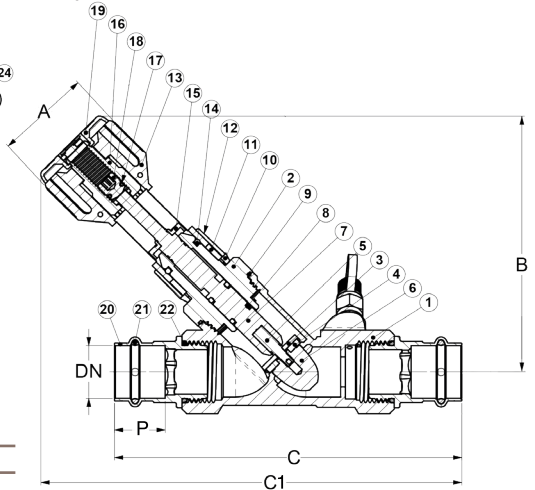
- Universal M & V Profile 15mm to 35mm
- Dedicated M Profile 42mm & 54mm
- Conforms to BS 5154
- Fixed orifice with  $\pm 5\%$  flow measurement accuracy
- 5 year warranty



### Technical data

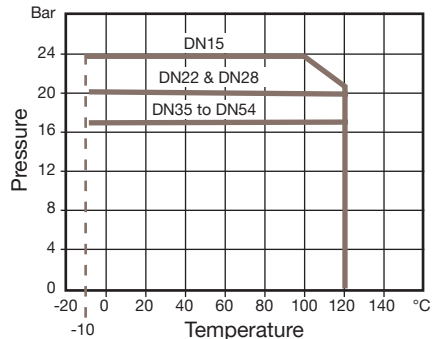
Max pressure: DN15 24 Bar  
 DN22 & DN28 20 Bar  
 DN 35 to DN54 17 Bar

Working temp:  $-10^{\circ}\text{C}$  to  $+120^{\circ}\text{C}$



N.	Part Name	Materials
1	Body	DZR Brass
2	Bonnet	DZR Brass
3	Gasket Support	DZR Brass
4	Gasket	EPDM
5	Stem for Shutter	DZR Brass
6	Shutter	DZR Brass
7	Stem	DZR Brass
8	O-Ring	EPDM PEROX
9	O-Ring	EPDM PEROX
10	Turn Index	Hostaform
11	Outdistance	Nylon
12	1/10 Turn Index	Hostaform
13	Knob	Hostaform
14	Pin	Steel
15	Index	Hostaform
16	Entrainer	Brass
17	Stem Gaskets O-Ring	NBR 70SH
18	Memory	Brass
19	Cup	Hostaform
20	Adaptor	DZR Brass
21	O-Ring (Delta)	EPDM 70 PEROX
22	O-Ring	EPDM 70 PEROX
23	Binder Point Blue	
24	Binder Point Red	

DN	15	22	28	35	42	54
A	51	51	51	51	57	57
B	111	129	138	142	181	190
C	144	165	185	216	248	295
C1	192	217	224	245	302	326
P	22	25	27	27	32	37
CH	28	33	40	43	56	71
Kv	1.75	3.77	6.96	15.83	21.05	43.90
Kvs	1.80	4.10	7.50	16.60	23.00	47.40
Kgs	0.87	1.20	1.48	2.15	3.09	4.76



V1. Dimensions in mm

This data sheet is designed as a guide and should not be regarded as wholly accurate in every detail. We reserve the right to amend the specification of any product without notice.