

ART 28

DZR Variable Orifice Double Regulating Valve (VODRV)



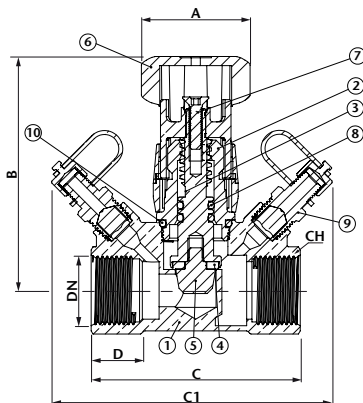
Technical data

Max pressure: 25 Bar

Working temp: -10°C to +120°C

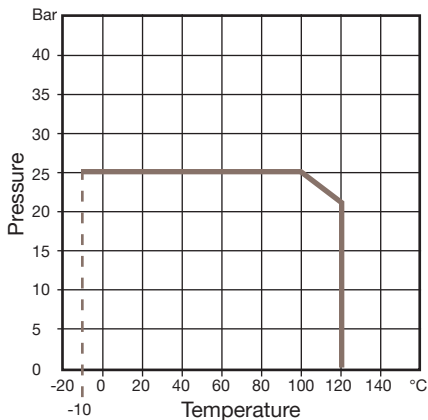
Features

- BSP Parallel (ISO 7/1) or NPT (ANSI B1.20.1)
- Position indicator
- Supplied with 2 fitted test points
- EPDM cone seating gives tight shut off
- Conforms to BS 7350 / BS 5154



DN	1/2"	3/4"	1"	1 1/4"	1 1/2"	2"
A	50	50	50	50	50	50
B	87.5	89.5	91.5	99	99	100
C	77	80	87	108	115	124
C1	106	107	107	123	129	132
D	17	18.5	21	22.5	23	26.5
CH	25	31	38	48	55	66
Kv	1.75	2.87	4.08	6.71	10.40	15.06
Kgs	0.38	0.44	0.54	0.96	1.12	1.35

N.	Part Name	Materials
1	Body	DZR Brass CW602N-M
2	Bonnet	DZR Brass CW602N-M
3	Stem	DZR Brass CW602N-M
4	Gasket	EPDM
5	Cone	DZR Brass CW602N-M
6	Handwheel	Nylon 6
7	Screw	DZR Brass CW602N-M
8	O-Ring	EPDM
9	Binder Point	DZR Brass CW602N-M
10	O-Ring	EPDM



V1. Dimensions in mm

This data sheet is designed as a guide and should not be regarded as wholly accurate in every detail. We reserve the right to amend the specification of any product without notice.