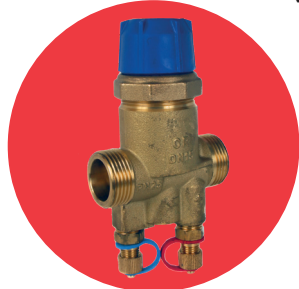
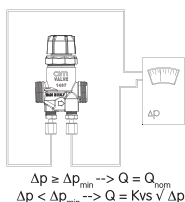


# ART 20C (Compact) PN25 Pressure Independent Control Valve (PICV or PIBCV)



## Features

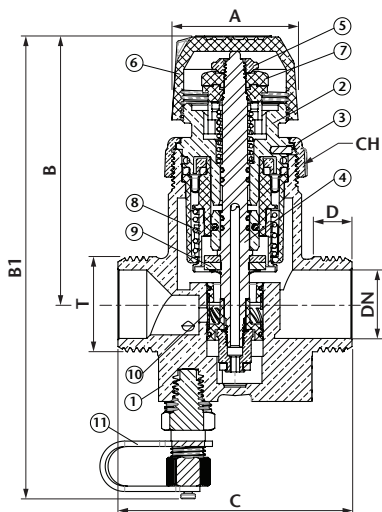
- BSP Parallel (ISO 228/1)
- Easy flow selection via preset dial
- Automatic flow balancing with fluctuating pressures
- Flow modulation along whole control actuator stroke (ART C21V, C22V, C23E)
- Reduction of commissioning, improved energy saving
- Phased installation and system future proofing
- Union tail pieces BSPM 2 required per valve



## Technical data

Max pressure: 25 Bar  
 Working temp: -10°C to +120°C  
 Max Differential Pressure: 8 Bar (800kPa)

DN	10LF	10HF	15LF	15HF	20HF	25HF
A	35	35	35	35	35	35
B	75	75	75	75	85	83
B1	130	130	130	130	150	146
C	53	53	65	65	82	104
D	9	9	11	11	12	13
T	G.1/2"	G.1/2"	G.3/4"	G.3/4"	G.1"	G.1 1/4"
CH	39	39	39	39	39	39
Flow (l/s)	0.012-	0.024-	0.024-	0.027-	0.042-	0.076-
	0.042	0.097	0.097	0.134	0.250	0.447
Min ΔP (kPa)	15-	13-	13-	12.5-	18-	18-
	16	16.5	16.5	19.5	26	37
Kvs	0.11-	0.24-	0.24-	0.27-	0.35-	0.64-
	0.37	0.86	0.86	1.09	1.77	2.65
Kgs	0.45	0.45	0.49	0.49	0.79	0.96



N.	Part Name	Materials
1	Body	DZR Brass CW602N-M
2	Bonnet	DZR Brass CW602N-M
3	Fixing Ring	DZR Brass CW602N-M
4	Stem	Stainless Steel
5	Locking Nut	Brass
6	Plastic Cap	Plastic
7	Dial	Plastic
8	DPC Controller	DZR Brass CW602N-M
9	Gasket	EPDM
10	Regulator	DZR Brass CW602N-M
11	Binder	DZR Brass CW602N-M

